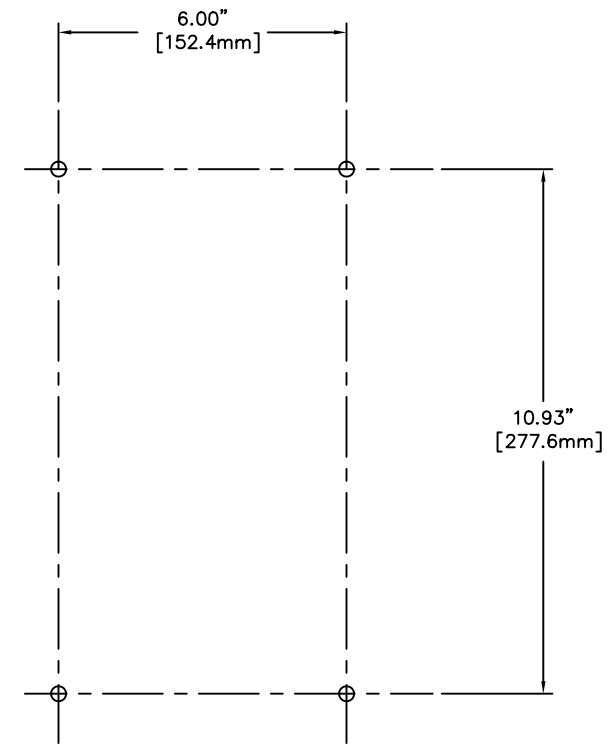
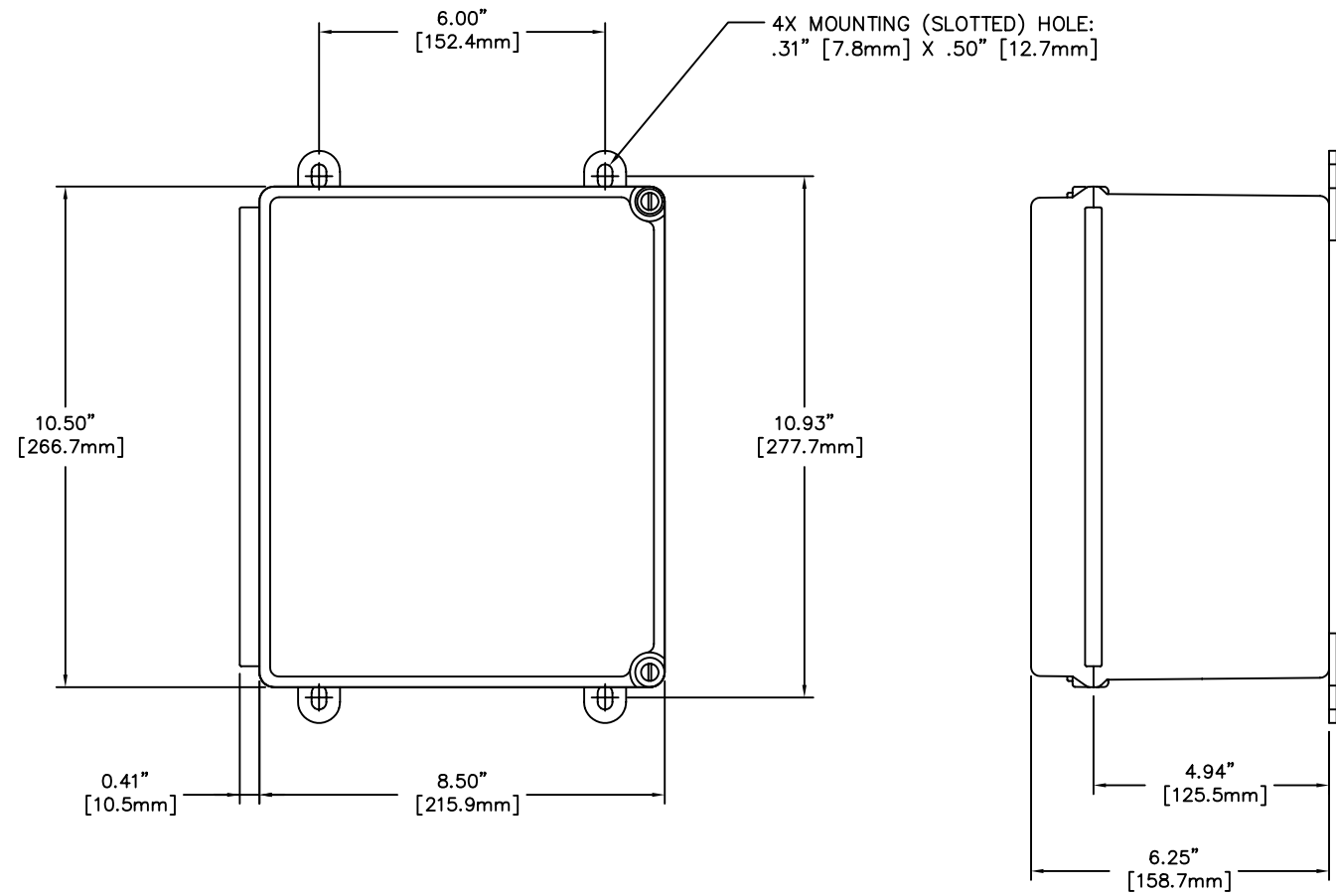
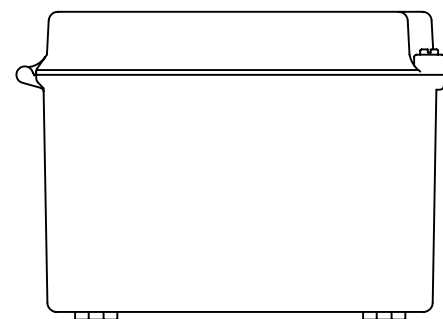



REVISIONS					
LTR	DESCRIPTION	INCORP.	CHECKED	APPROVED	DATE
NEW	PRODUCTION RELEASE	BWC	JT	KMB	2/13/04
A	PER ECO 5150	BWC	AJR	AJR	7/9/04



MOUNTING PATTERN DIMENSIONS



**NEMA 4X FIBERGLASS ENCLOSURE
INSTALLATION MOUNTING DIMENSIONS**

ECO ACCUMULATION:	APPROVALS	DATE	UNLESS OTHERWISE SPECIFIED: DIMENSIONS ARE IN INCHES TOLERANCES DECIMAL ANGULAR .XX± -- ±-- .XXX± -- DO NOT SCALE DRAWING SCALE: --	 Kistler-Morse Bothell, WA	
ECO 1:	DRAWN: BW Cooper	11/13/03			TITLE ORB 4-20mA INPUT WIRING DIAGRAM AND MECHANICAL OUTLINE
ECO 2:	CHECKED: J Thornton	2/13/04			
ECO 3:	PROJ. ENGR: KM Brown	2/13/04			
ECO 4:	PRODUCTION:				
ECO 5: INCORPORATE ABOVE ECO'S	PURCHASING		USED ON:		
			SIZE	DWG. No.	REV.
			B	TI-ORB.420-01	A
			ACAD#	SHT 1 OF 4	
			TI-ORB.420-01A.dwg		