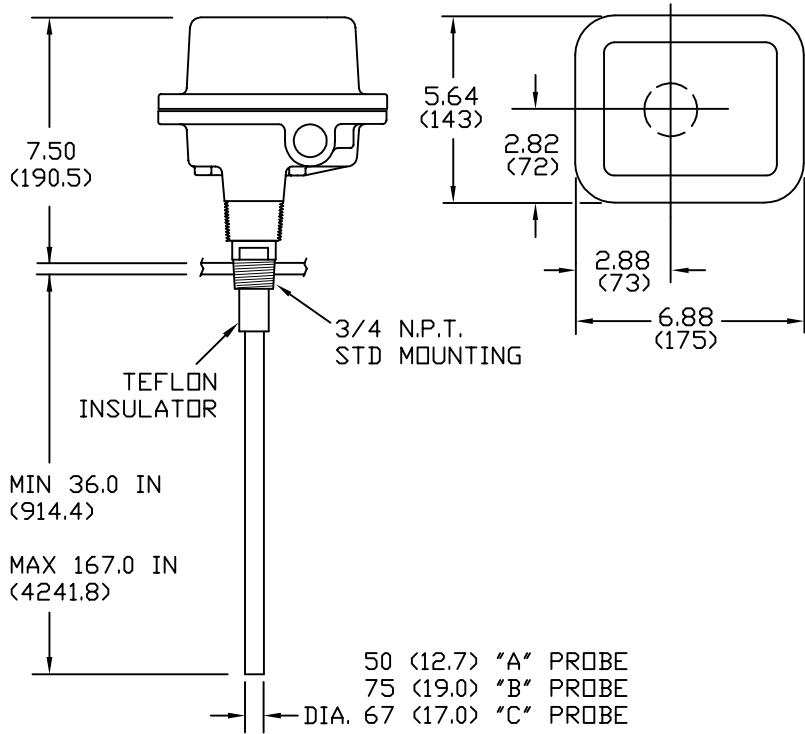
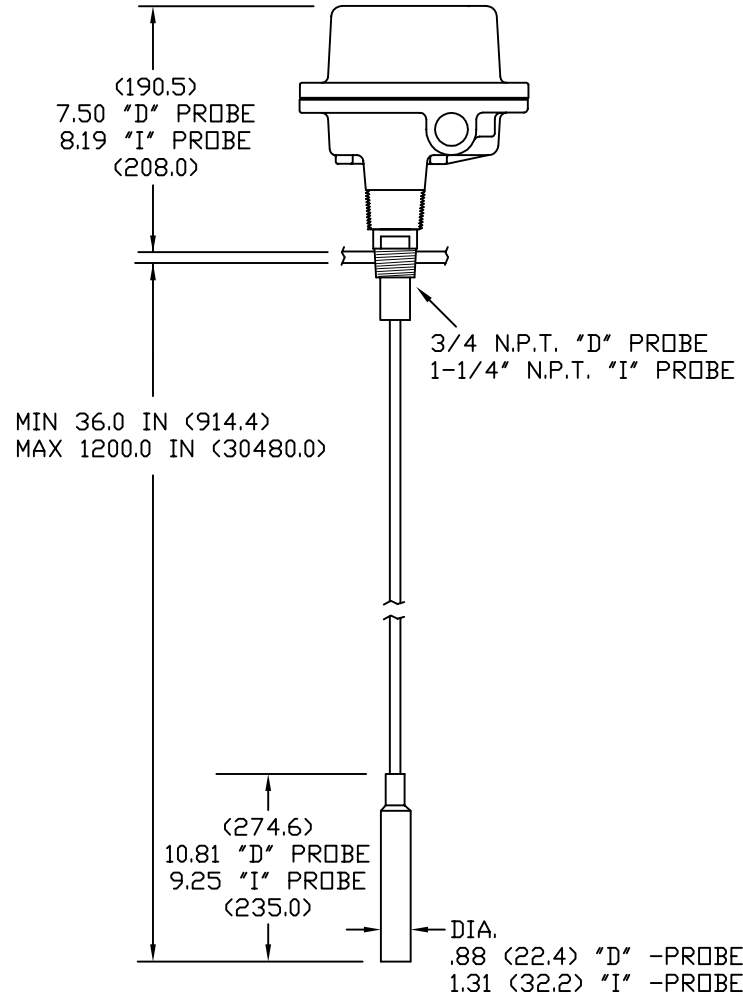


**TYPE "A", "B" & "M"  
PROBE**  
(DIM'S ON COVER SAME  
FOR ALL CAP LEVELS)

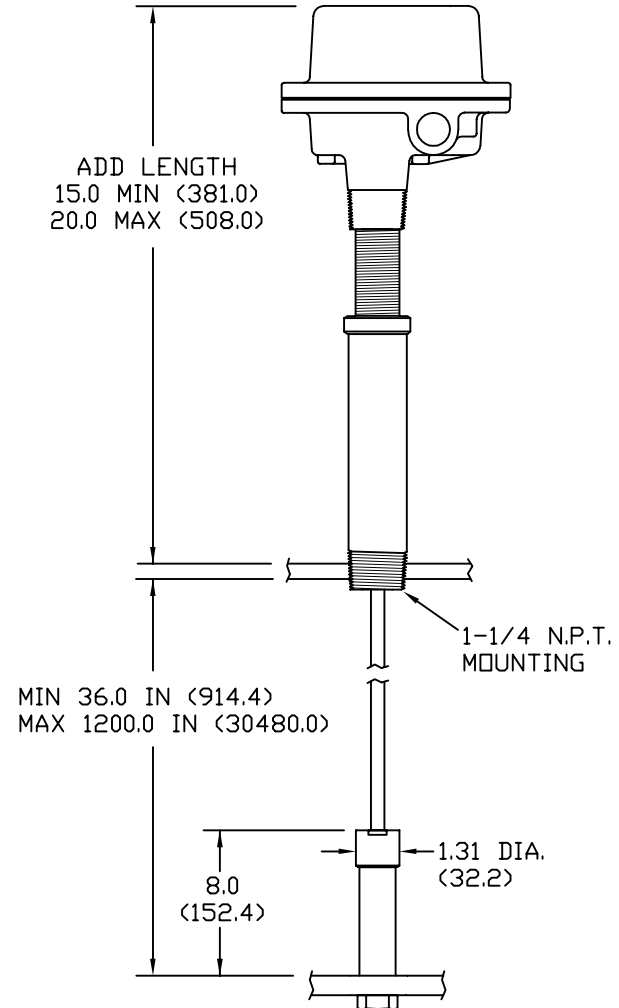


**TYPE "D" PROBE**  
(316 S.S. CABLE & WEIGHT)

**TYPE "I" PROBE**  
TEFLON JACKETED  
(CABLE & WEIGHT)



**TYPE "E" & "H" PROBE**



NOTE: CABLE TYPES 3/16" BARE S.S. &  
3/16 X 1/4" TEFLON COATED S.S.