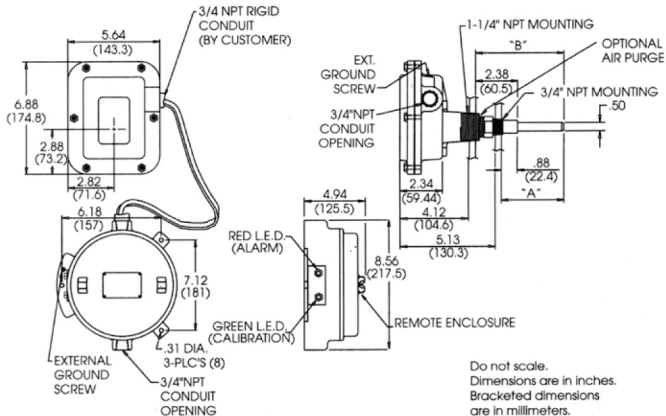


REMOTE UNIT DIMENSIONS



PROBE INSERTION

	Dimension A	Dimension B
Active Rod, 3"	3.00	4.38
Active Rod, 6"	6.00	7.38
Active Rod, 12"	12.00	13.38