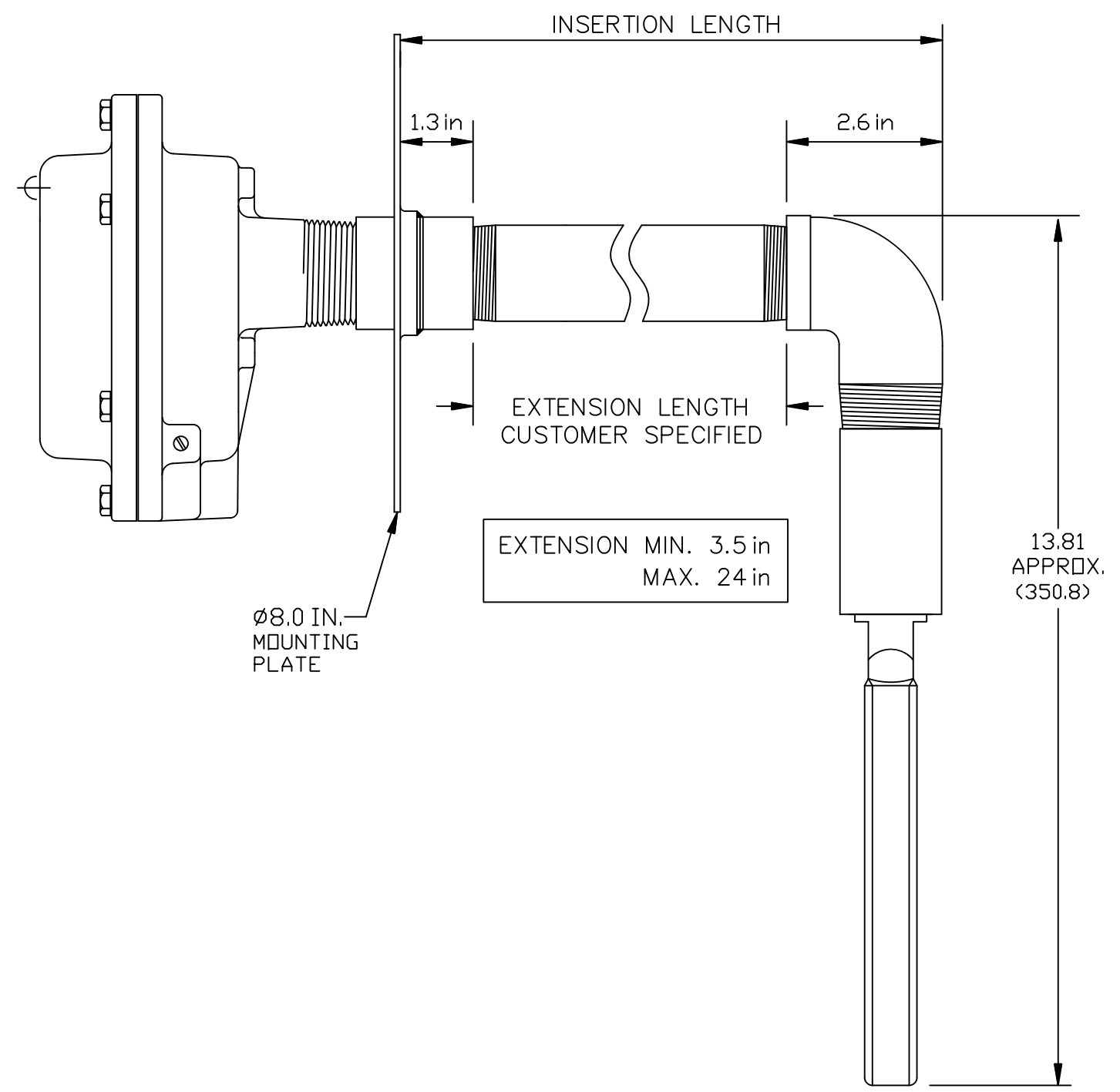


REVISIONS		ECN #	DRAWN BY	APP'D BY
			DATE	DATE
A	INIT. RELEASE	13-533	SE 12-10-13	_____
B	ADD EXTENSION MIN & MAX DIMs and also Dims 1.3 & 2.6	14-220	SE 7-30-14	

SIDE VIEW



<b>venture</b> MEASUREMENT 150 VENTURE BLVD. SPARTANBURG, SC 29306 FILE LVP280022_B_*	TITLE	Outline Drawing for Pricebook 90 Degree LPII and Rem Forks, (EXT 1-1/2" Fork)	SCALE	NONE
	REF		SIZE	B
UNSPECIFIED TOL. DECIMALS: XX ±=.01 XXX ±=.005 ANGLES: ±=1/2" DEBURR & BREAK EDGES .005	MATERIAL	-----	PART	LVP280022
	FINISH	-----	SHEET	1 of 1

DO NOT SCALE. DIMENSIONS ARE IN INCHES.  
BRACKETED DIMENSIONS ARE IN MILLIMETERS.