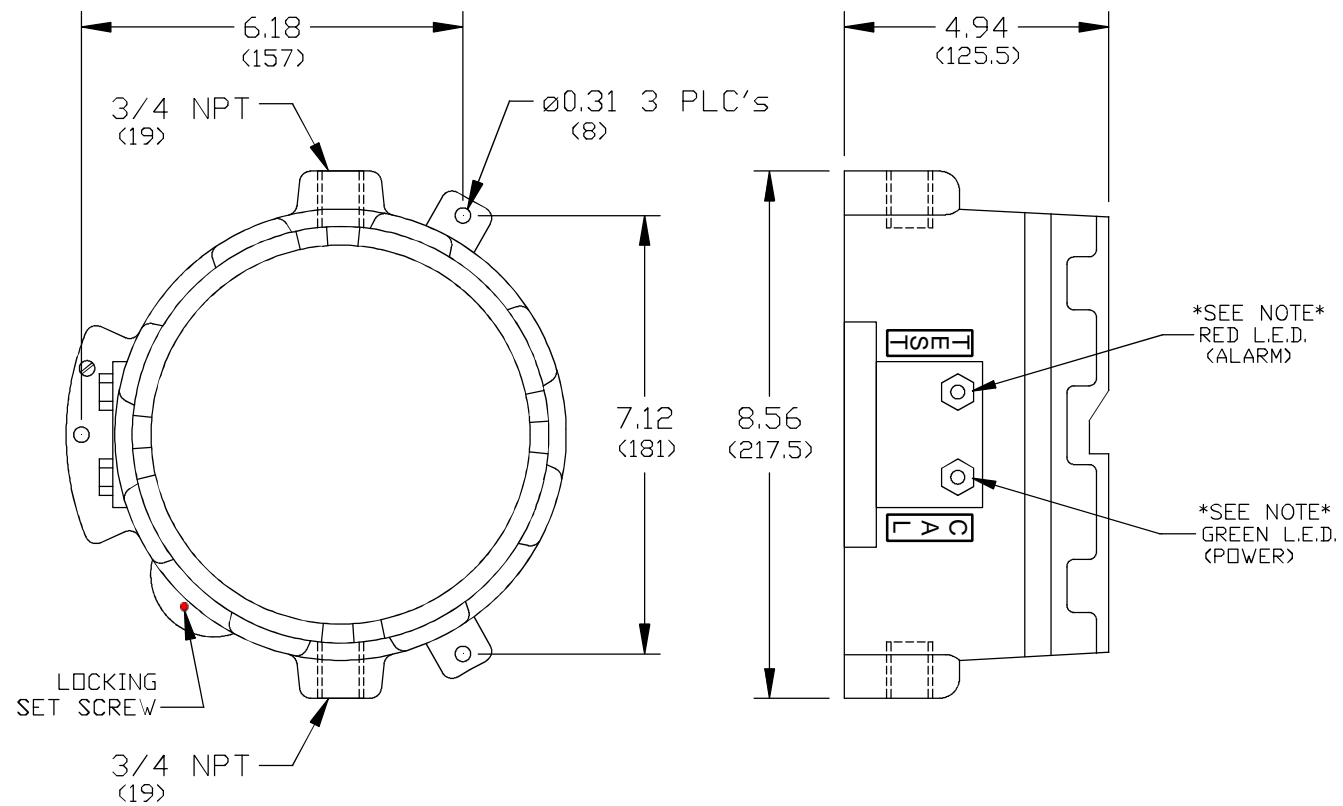


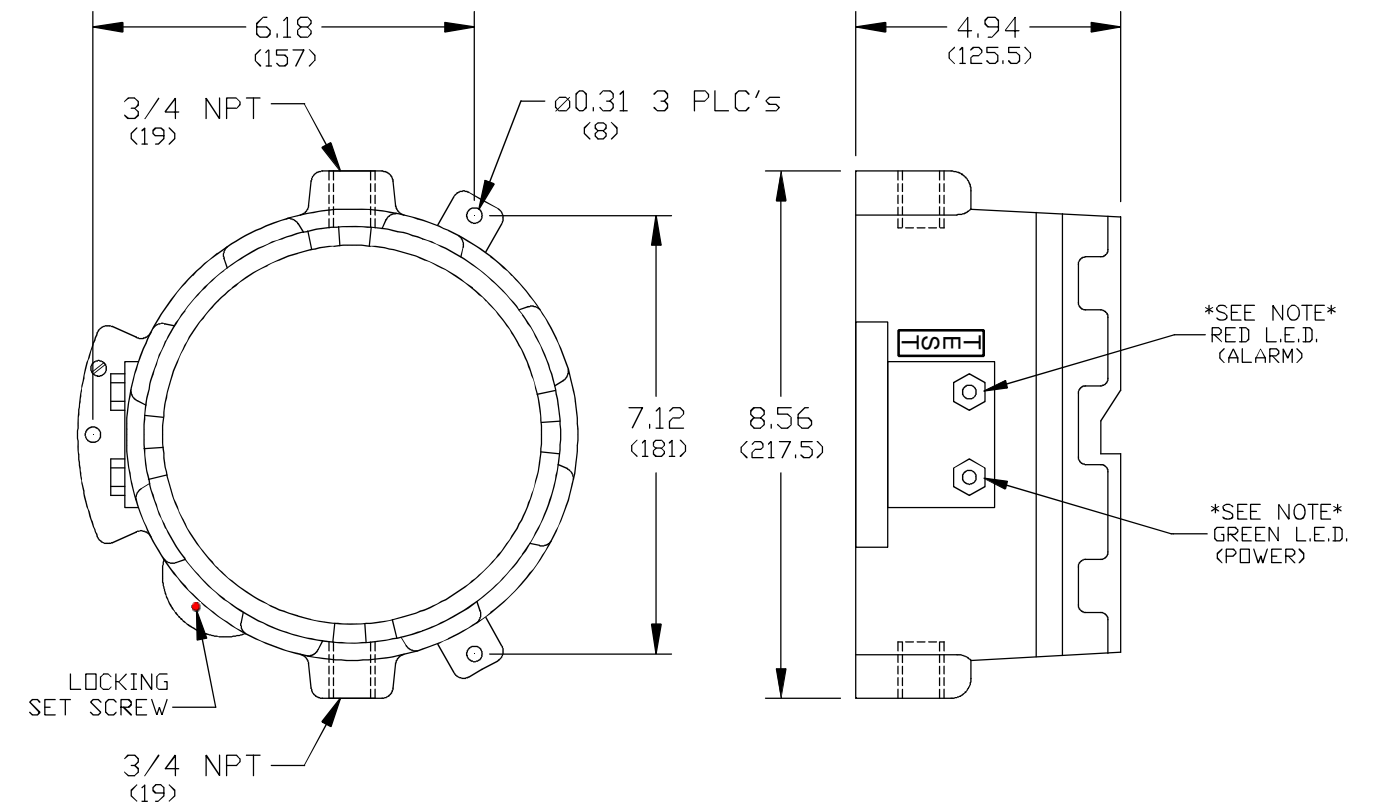
REVISIONS		ECN #	DRAWN BY	APP'D BY
			DATE	DATE
A	INIT. RELEASE	13-533	12-10-13	

VRFII REMOTE



NOTE
STANDARD UNITS WILL NOT HAVE LIGHTS. ONLY ADVANCED UNITS WILL HAVE LIGHTS.

LPPII REMOTE



NOTE
STANDARD UNITS WILL NOT HAVE LIGHTS. ONLY ADVANCED UNITS WILL HAVE LIGHTS.

DO NOT SCALE. DIMENSIONS ARE IN INCHES.
BRACKETED DIMENSIONS ARE IN MILLIMETERS.

venture MEASUREMENT 150 VENTURE BLVD. SPARTANBURG, SC 29306	TITLE	Remote Turtle Housing Dimensions (OUTLINE DRAWINGS) FOR MARKETING IDMS VRFII, LPPII	SCALE	NONE
	FILE	SK50068_B_*	SIZE	B
UNSPECIFIED TOL. DECIMALS: XX ±=.01 XXX ±=.005 ANGLES: ±=1/2° DEBURR & BREAK EDGES .005	MATERIAL	-----	PART	SK50068
	FINISH	-----		SHEET 1 of 1