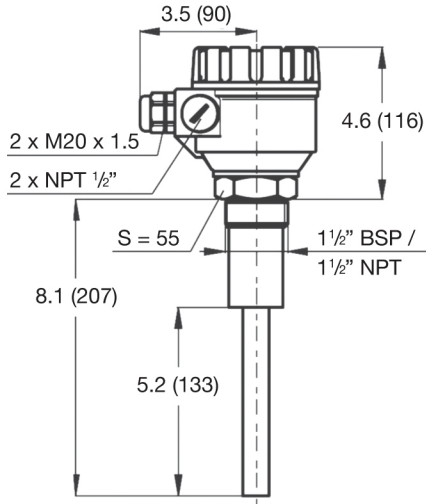
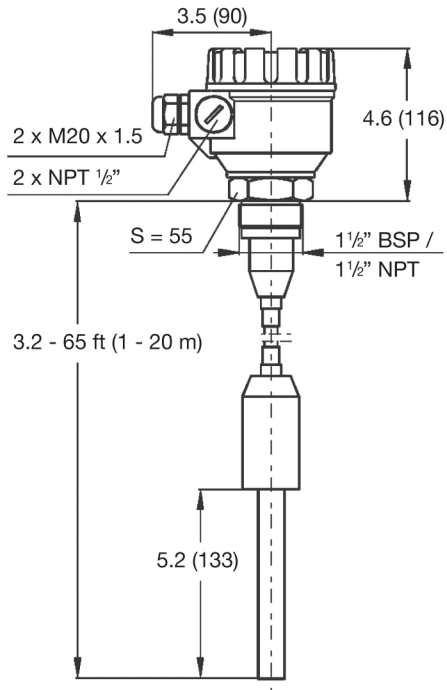


# DIMENSIONS DRAWING IN INCHES (MM)

## STANDARD



## CABLE EXTENSION



## PIPE EXTENSION

