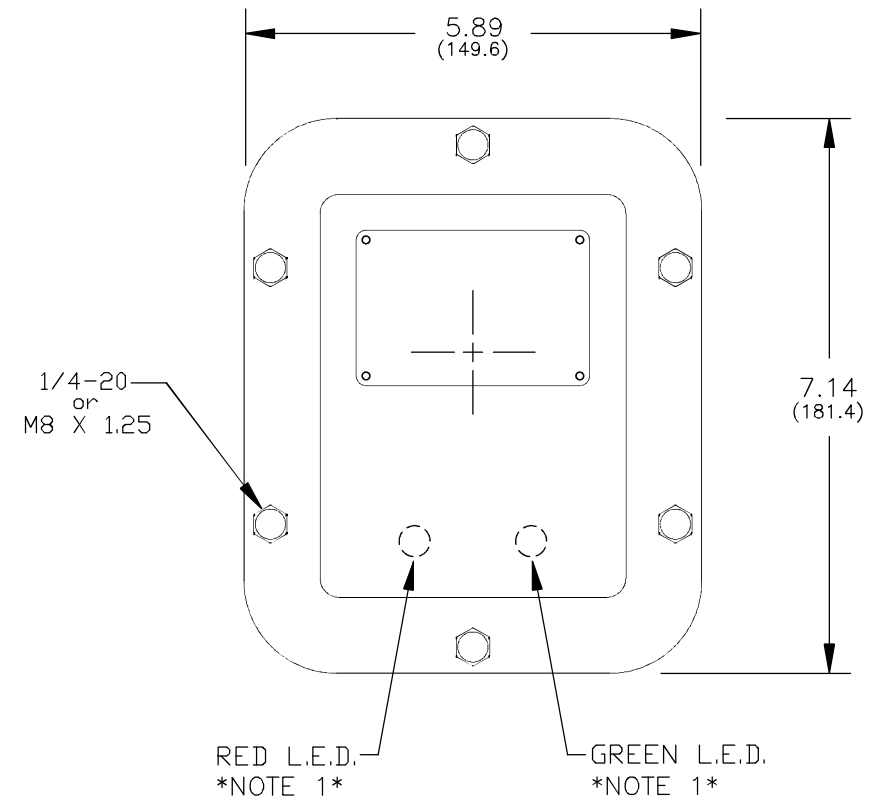
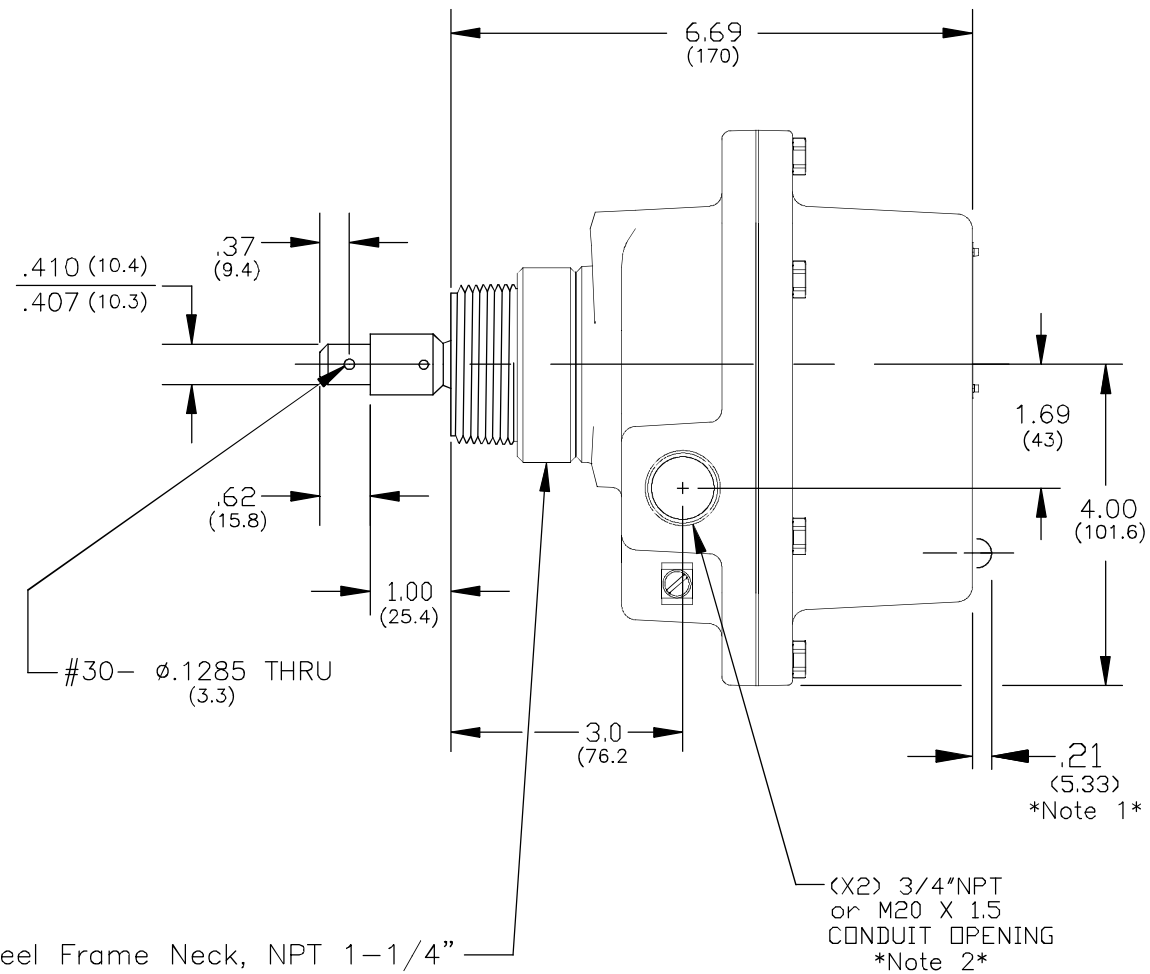


*STD POWER PACK WITHOUT MOUNTING PLATE

NOTE
 1-ONLY SUPER-SAFE and SUPER-SAFE-PLUS WILL HAVE LIGHTS.
 2-FOR HORIZONTAL MOUNTING, CONDUIT OPENING MUST FACE
 DOWNWARDS AND INCLUDE DRIPLOOP.

DO NOT SCALE. DIMENSIONS ARE IN INCHES.
 BRACKETED DIMENSIONS ARE IN MILLIMETERS.

				venture MEASUREMENT 150 VENTURE BLVD. SPARTANBURG, SC 29306		TITLE OUTLINE DWG FOR ROTO POWER PACK		SCALE NONE	
				FILE LAR2E0001		REF		SIZE B	
A INIT. RELEASE		13-300		SE		MATERIAL -----		PART LAR2E0001	
REVISIONS		ECN #		DRAWN BY 8-28-13		APP'D BY		SHEET 1 of 7	
						UNSPECIFIED TOLERANCES DECIMALS: XX ±=.01 XXX ±=.005 ANGLES: ±=1/2" DEBURR & BREAK EDGES .005 Ⓢ = CRITICAL DIM. OR NOTE			



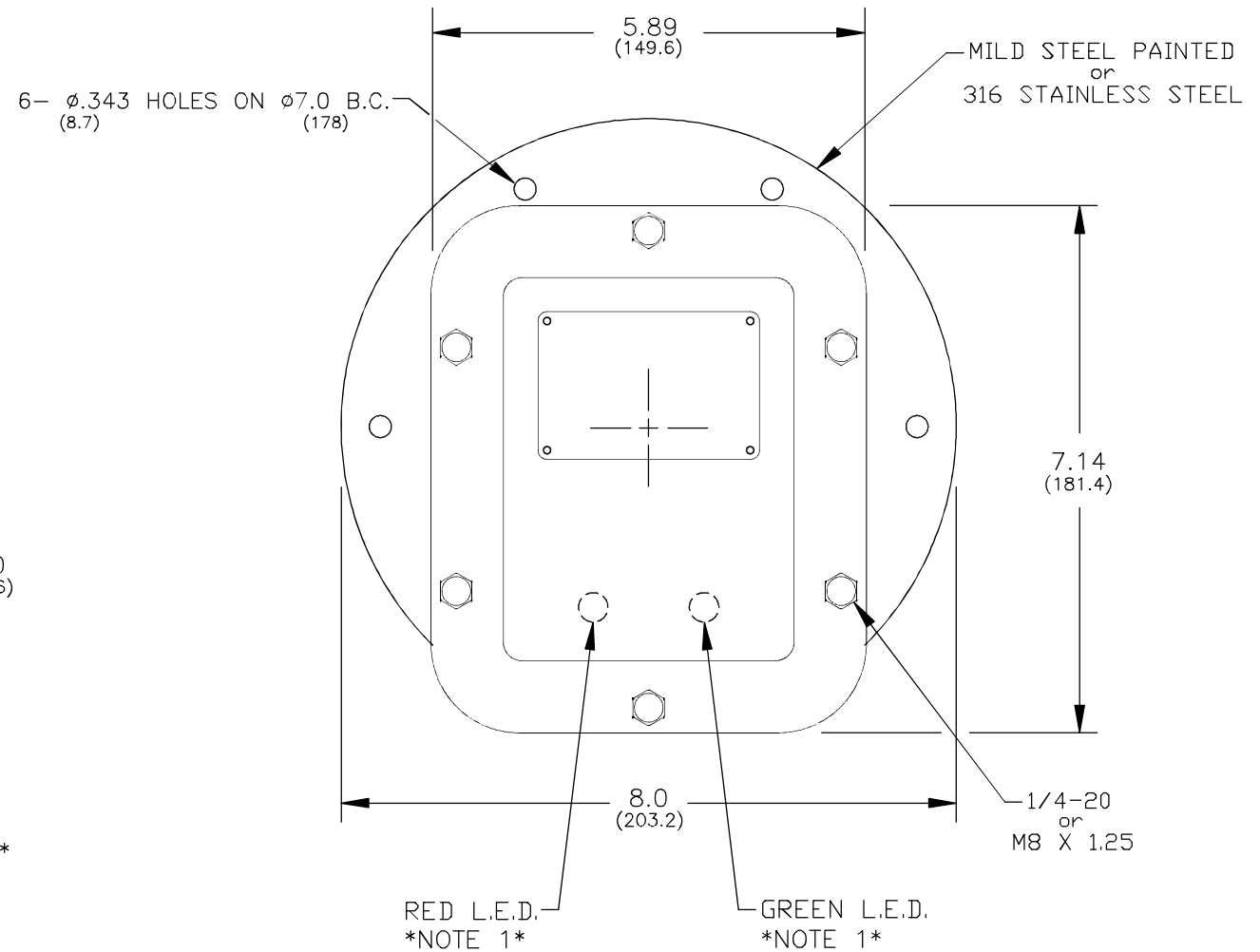
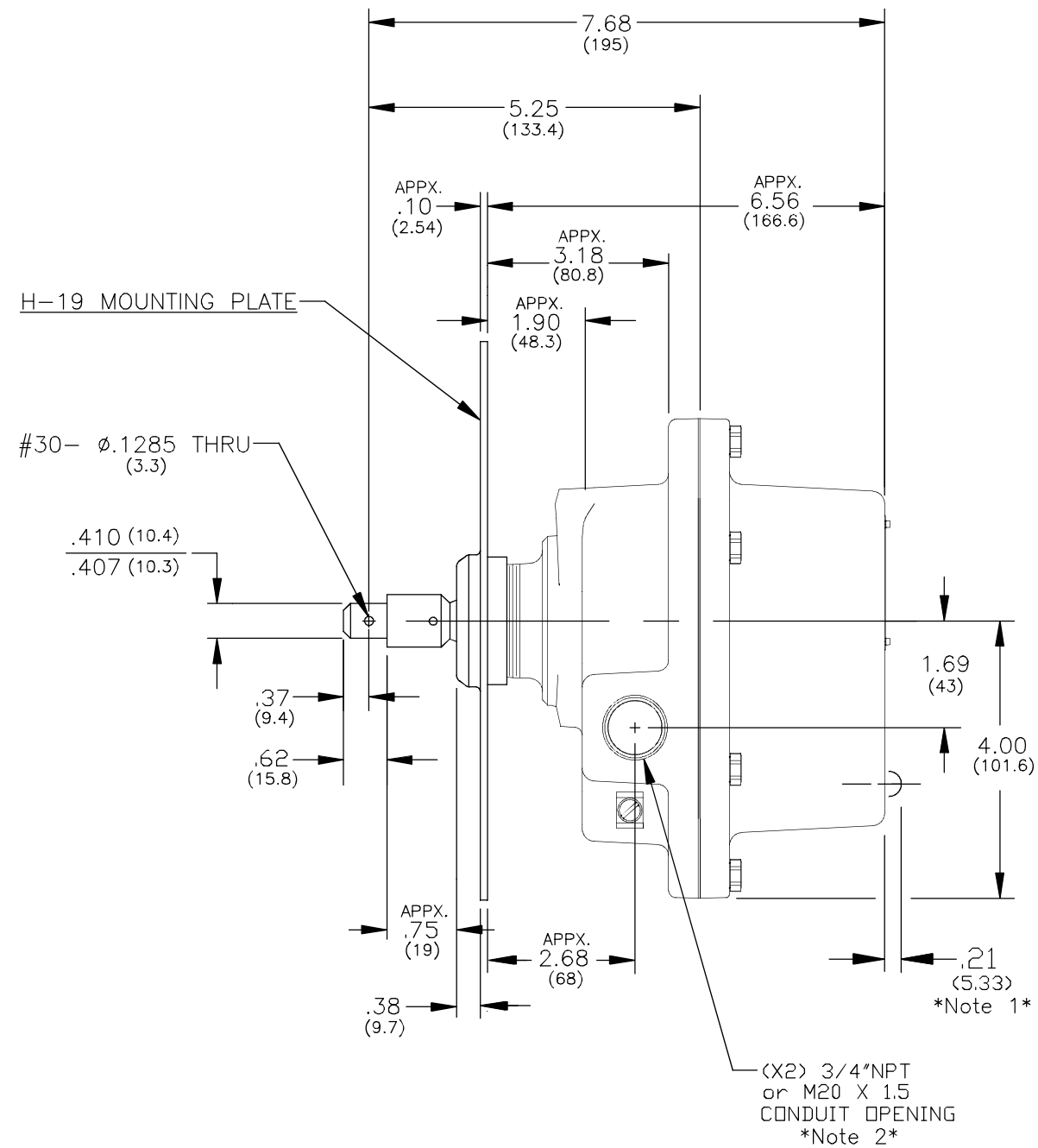
- X2 = 304 Stainless Steel Frame Neck, NPT 1-1/4"
- C1 = Aluminum NPT 1-1/4
- D1 = Aluminum NPT 1-1/2"
- E1 = Aluminum BSP Tapered R 1-1/4"
- F1 = Aluminum BSP Tapered R 1-1/2"
- J1 = Aluminum BSP Straight G 1-1/4"
- K1 = Aluminum BSP Straight G 1-1/2"
- C2 = 316 Stainless Steel NPT 1-1/4
- D2 = 316 Stainless Steel NPT 1-1/2"
- E2 = 316 Stainless Steel BSP Tapered R 1-1/4"
- F2 = 316 Stainless Steel BSP Tapered R 1-1/2"
- J2 = 316 Stainless Steel BSP Straight G 1-1/4"
- K2 = 316 Stainless Steel BSP Straight G 1-1/2"

(X2) 3/4" NPT
or M20 X 1.5
CONDUIT OPENING
Note 2

NOTE
1-ONLY SUPER-SAFE and SUPER-SAFE-PLUS WILL HAVE LIGHTS.
2-FOR HORIZONTAL MOUNTING, CONDUIT OPENING MUST FACE
DOWNWARDS AND INCLUDE DRIPLOOP.

*STD POWER PACK WITH PROCESS FITTINGS AND WITHOUT MOUNTING PLATE

DO NOT SCALE. DIMENSIONS ARE IN INCHES.
BRACKETED DIMENSIONS ARE IN MILLIMETERS.

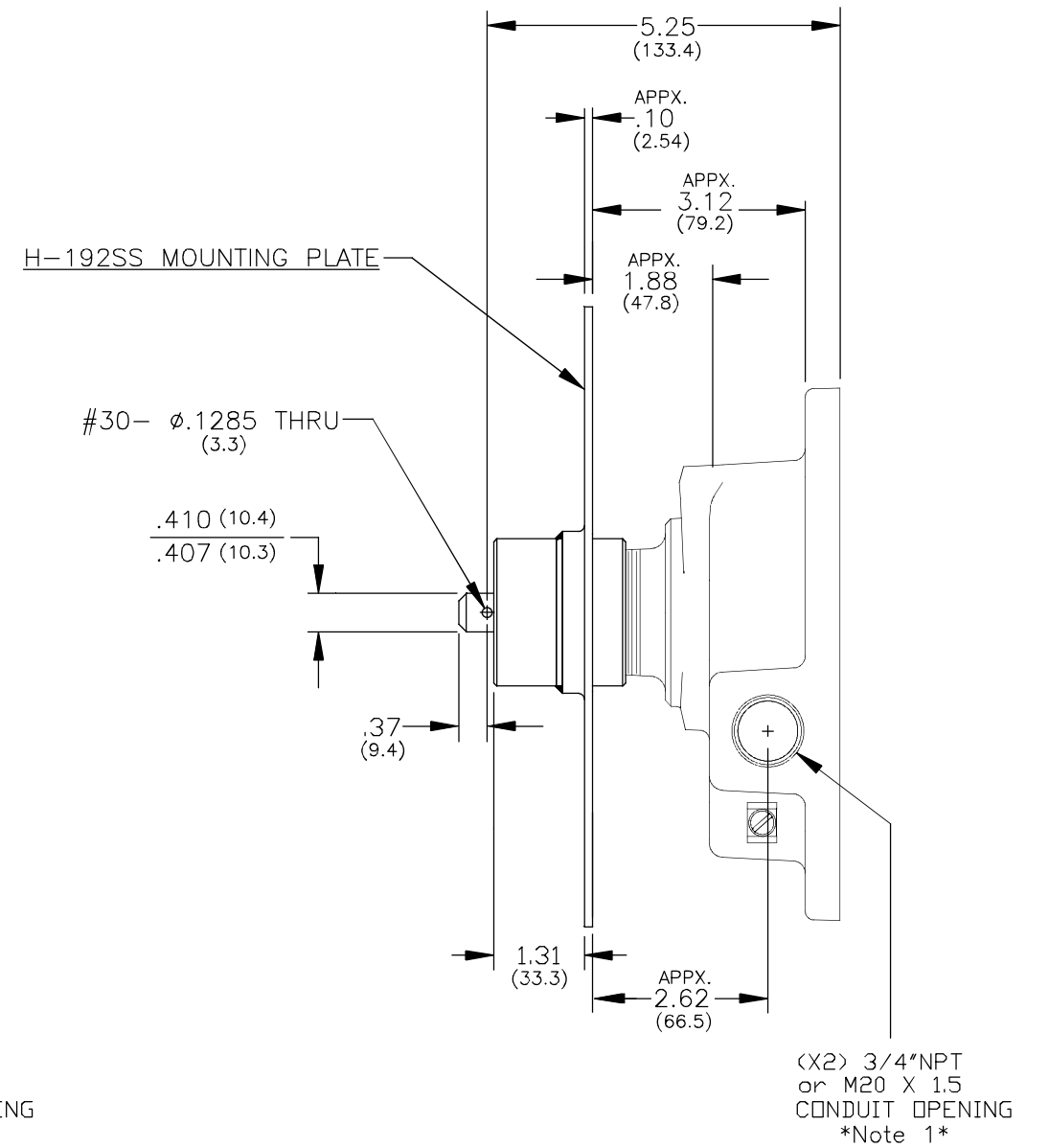
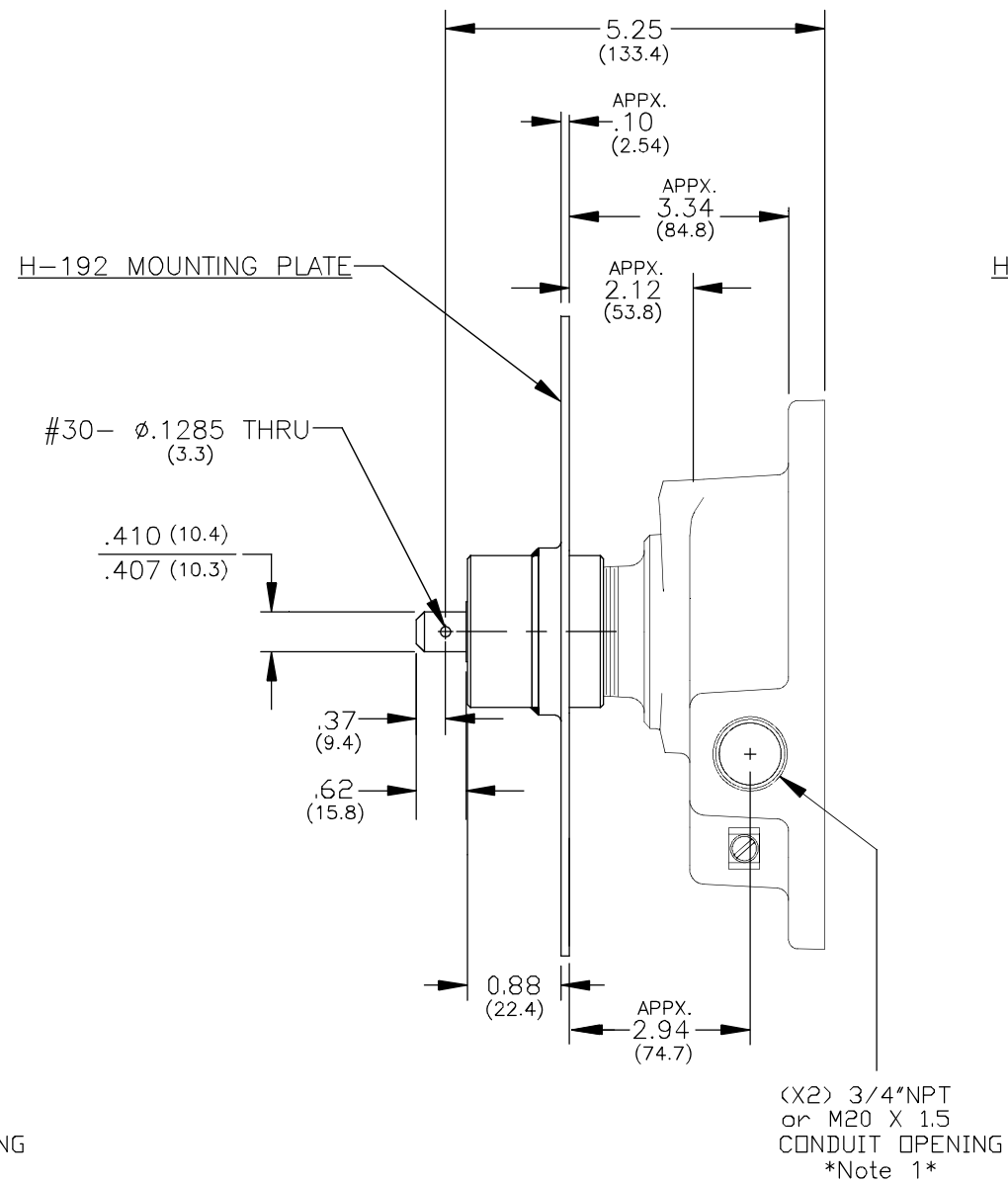
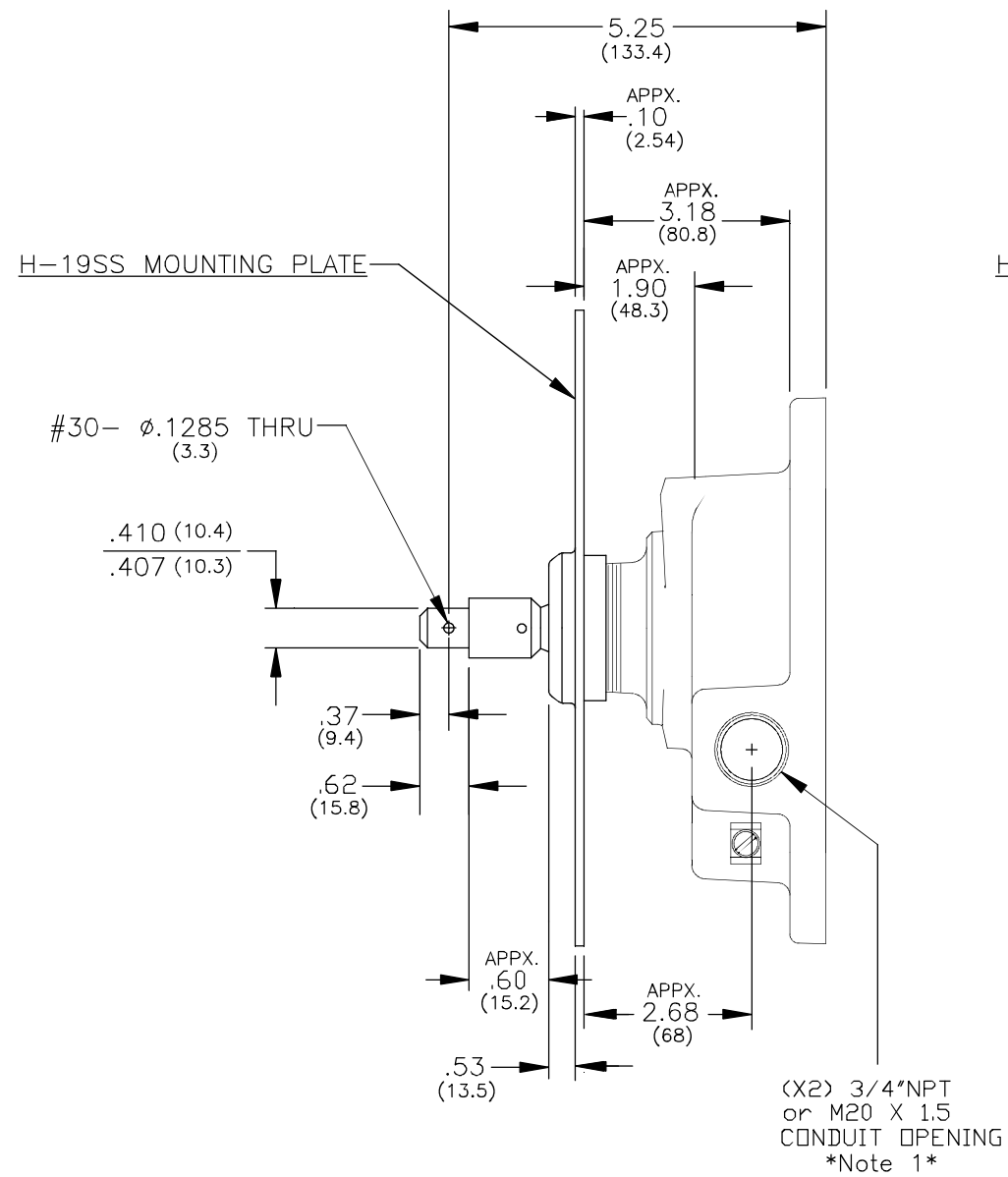


NOTE
 1—ONLY SUPER—SAFE and SUPER—SAFE—PLUS WILL HAVE LIGHTS.
 2—FOR HORIZONTAL MOUNTING, CONDUIT OPENING MUST FACE DOWNWARDS AND INCLUDE DRIPLOOP.

*STD POWER PACK WITH H-19 MOUNTING PLATE

DO NOT SCALE. DIMENSIONS ARE IN INCHES.
 BRACKETED DIMENSIONS ARE IN MILLIMETERS.

PART	SHEET
LAR2E0001	3 of 7 Rev A

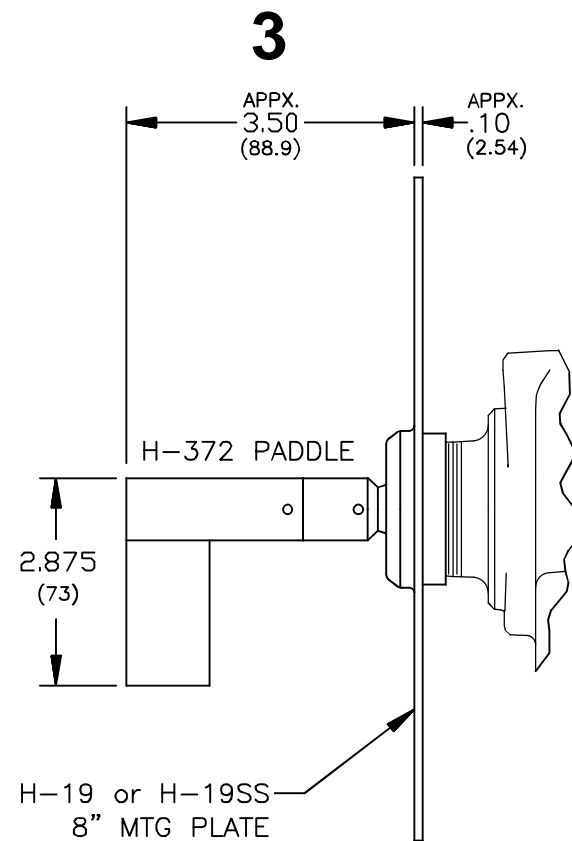
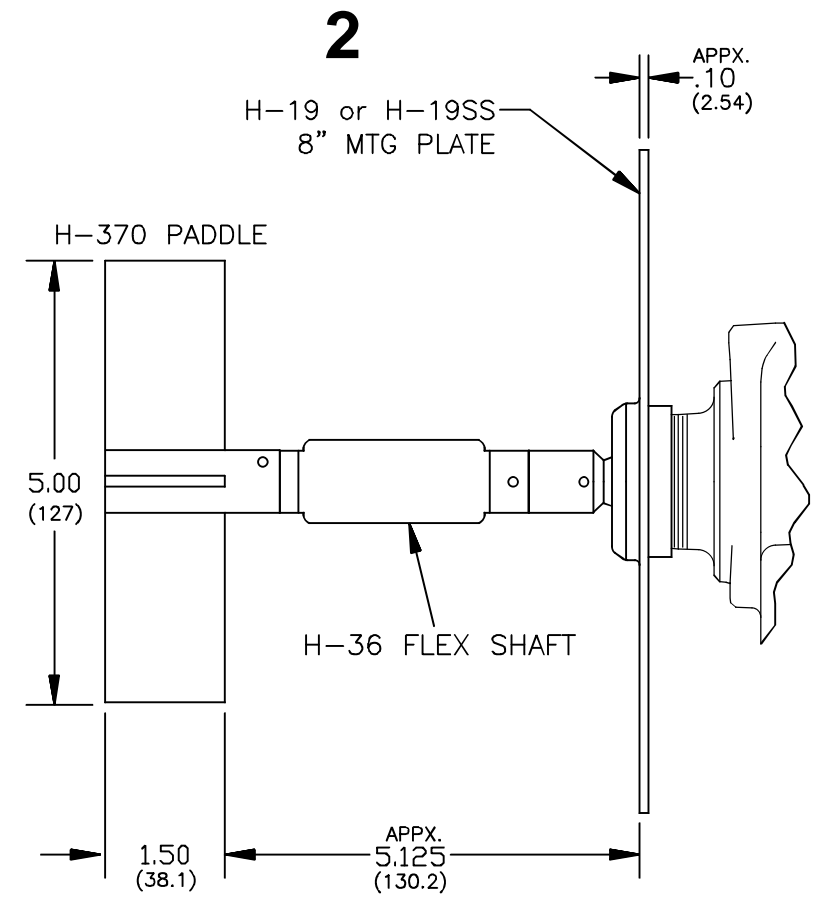
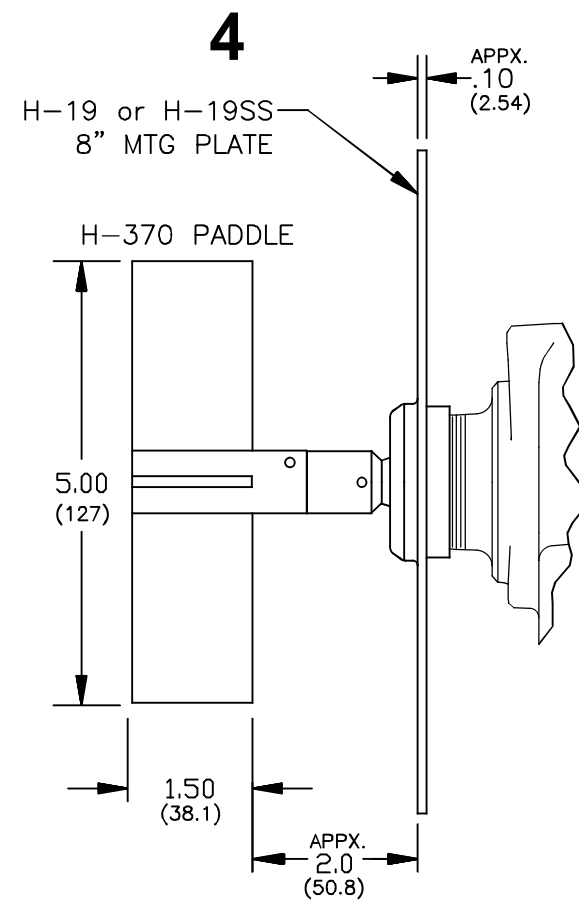
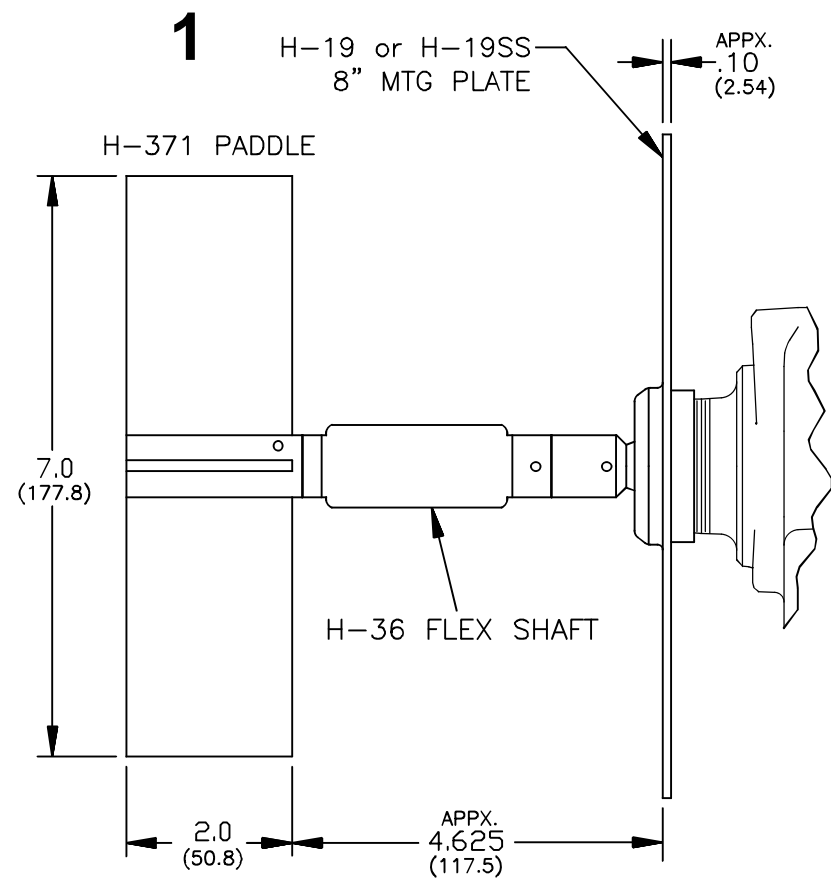
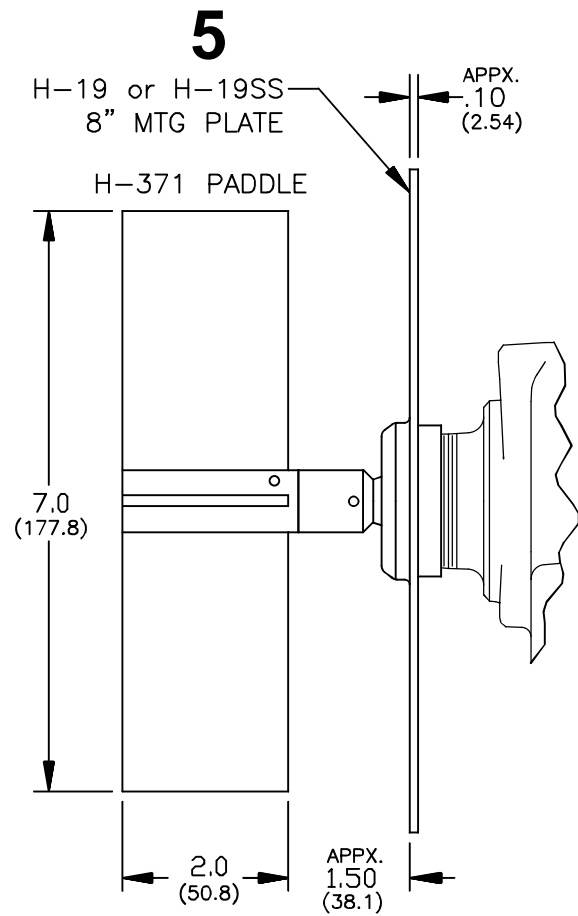


NOTE
 1-FOR HORIZONTAL MOUNTING, CONDUIT OPENING MUST FACE DOWNWARDS AND INCLUDE DRIPLOOP.

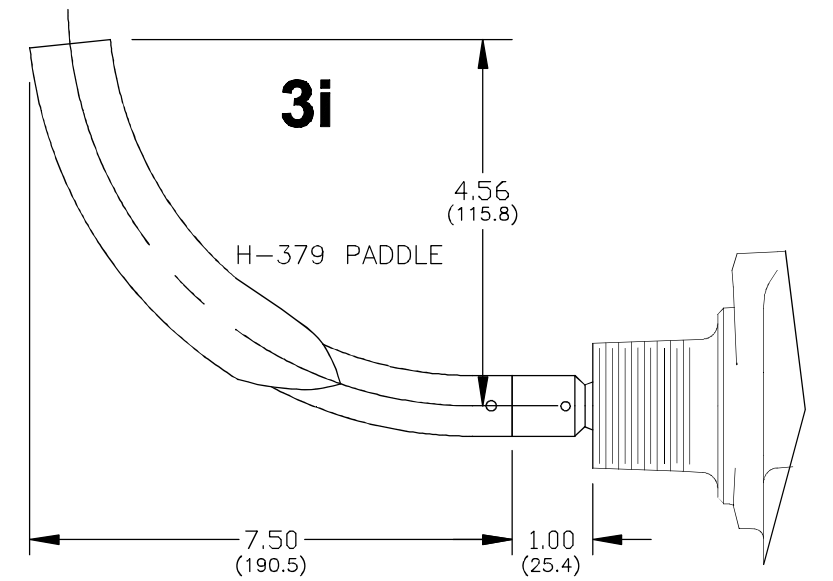
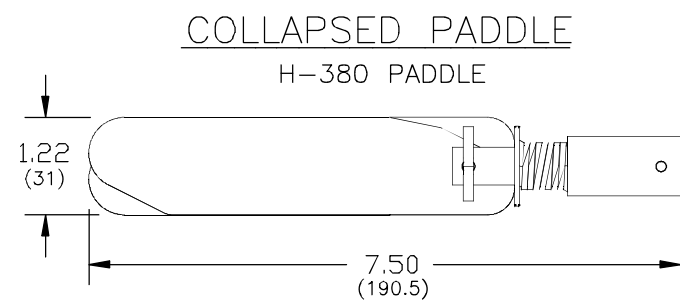
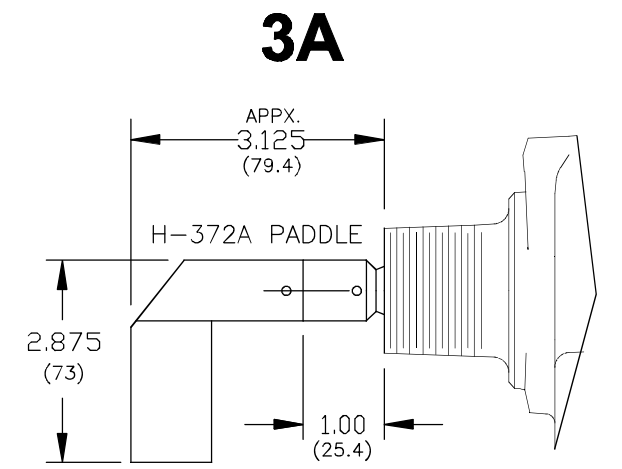
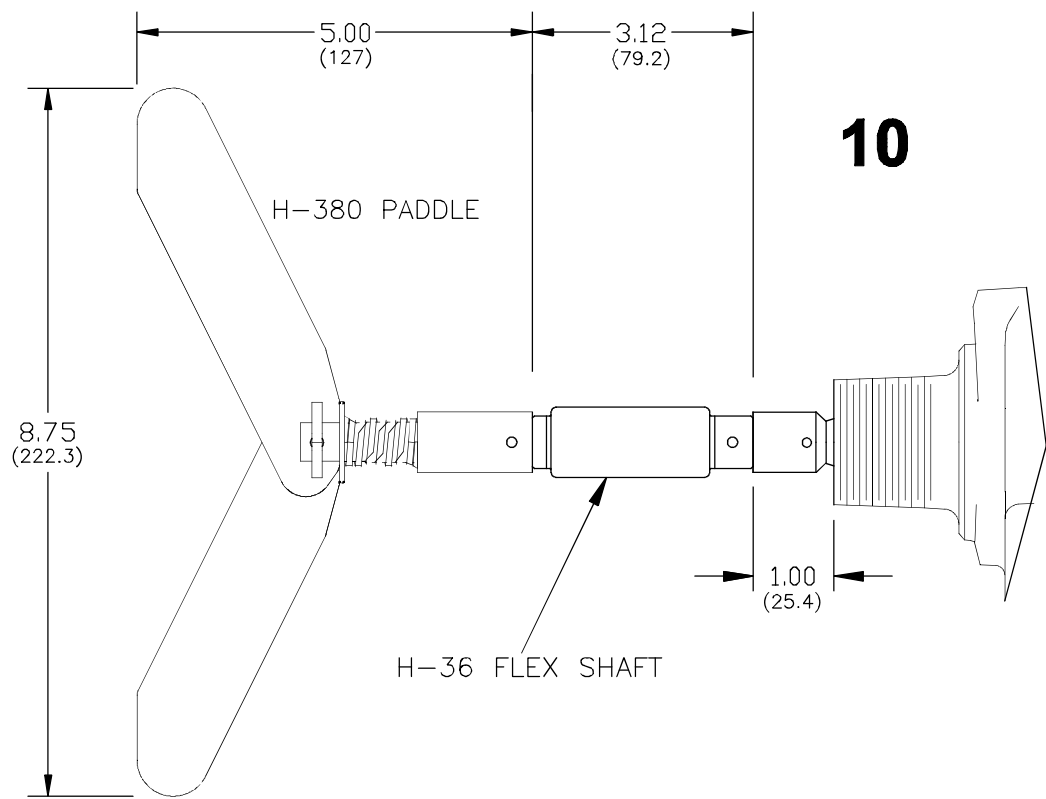
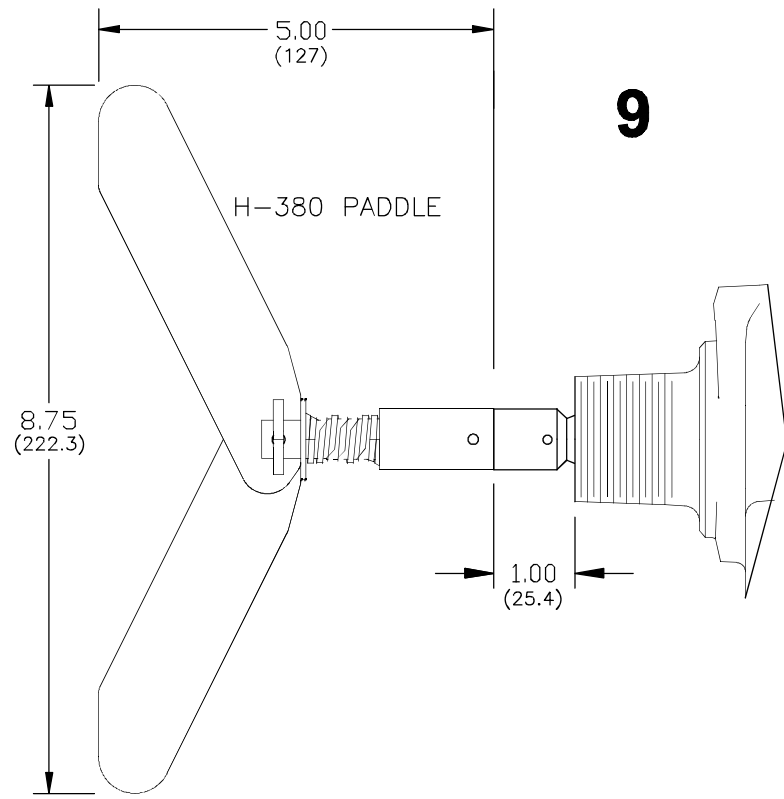
*BOTTOM HALF VIEW OF STD POWER PACK WITH H-19SS, H-192, AND H-192SS MTG PLATES

DO NOT SCALE. DIMENSIONS ARE IN INCHES.
 BRACKETED DIMENSIONS ARE IN MILLIMETERS.

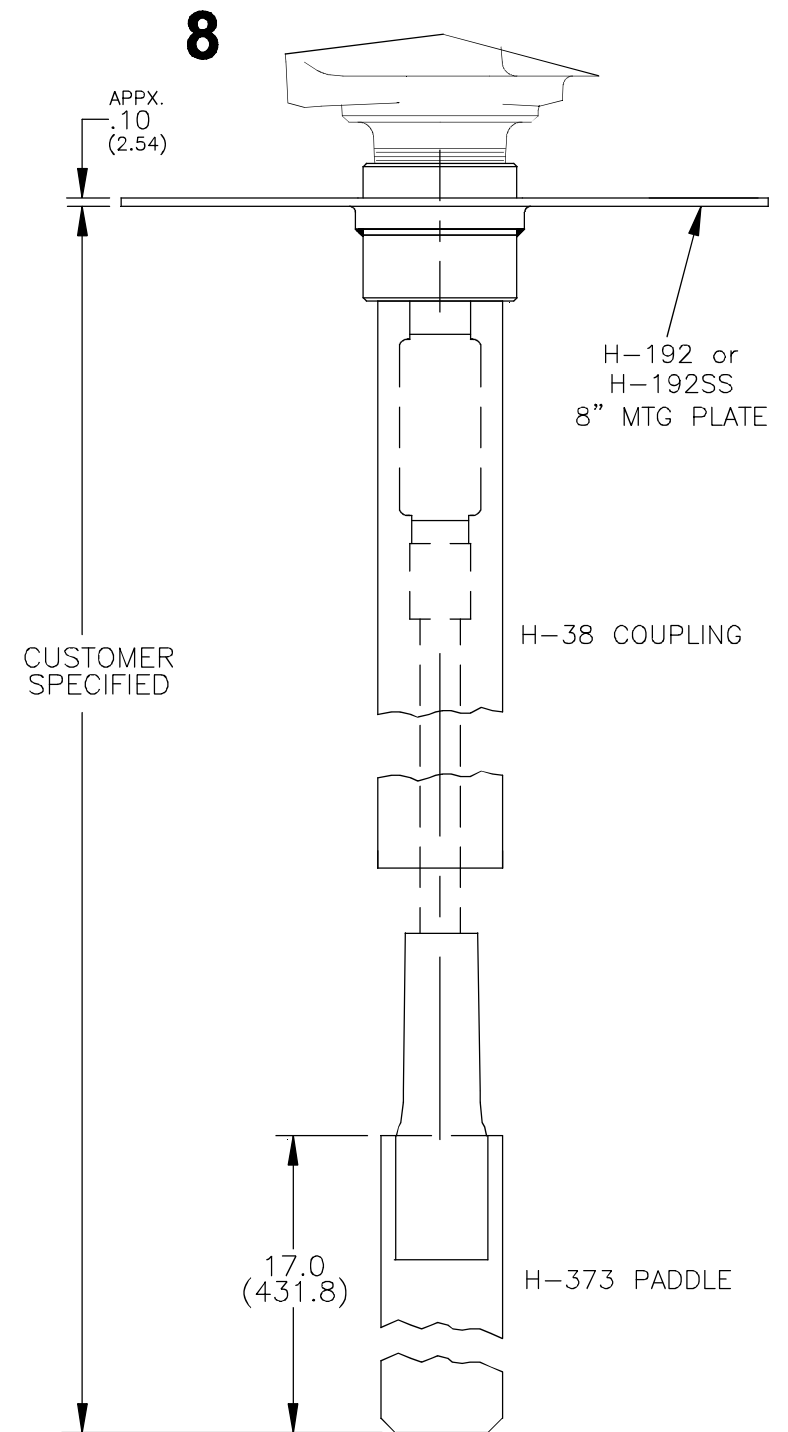
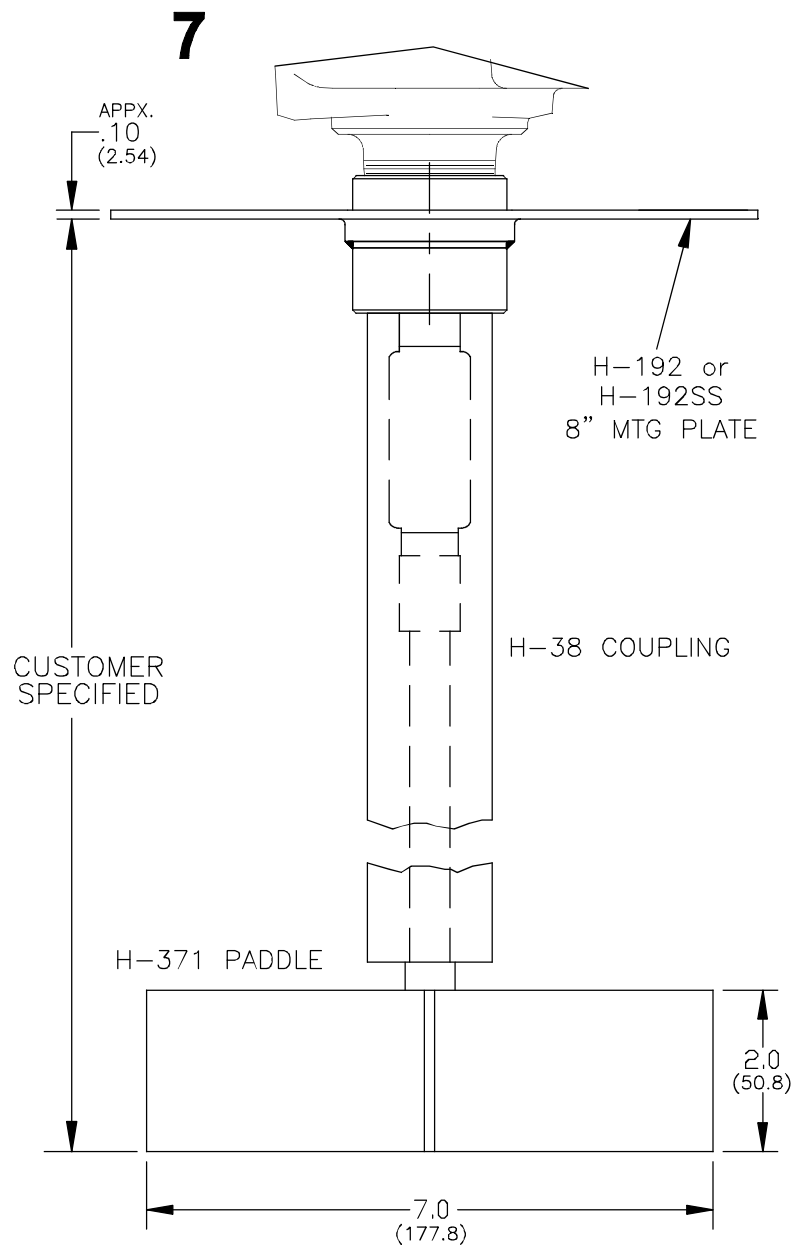
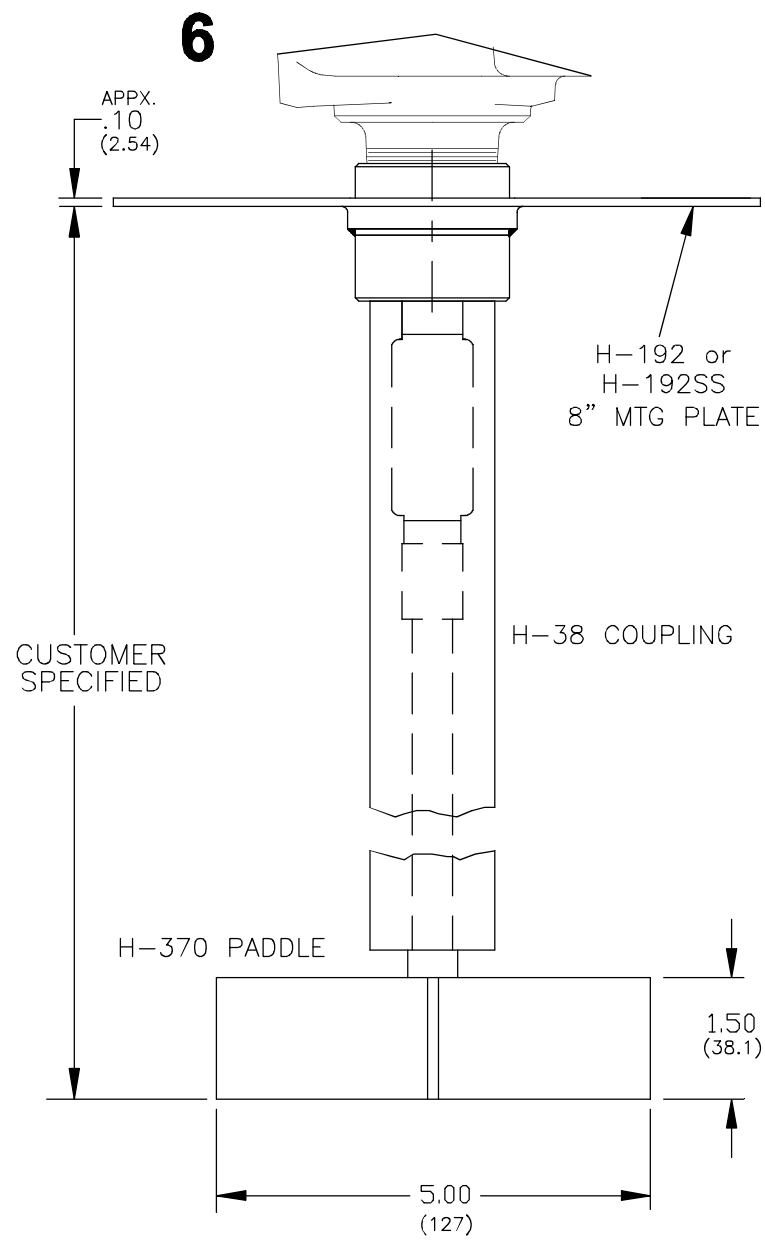
PART	SHEET
LAR2E0001	4 of 7
	RevA



DO NOT SCALE. DIMENSIONS ARE IN INCHES.
BRACKETED DIMENSIONS ARE IN MILLIMETERS.



DO NOT SCALE. DIMENSIONS ARE IN INCHES.
BRACKETED DIMENSIONS ARE IN MILLIMETERS.



DO NOT SCALE. DIMENSIONS ARE IN INCHES.
BRACKETED DIMENSIONS ARE IN MILLIMETERS.