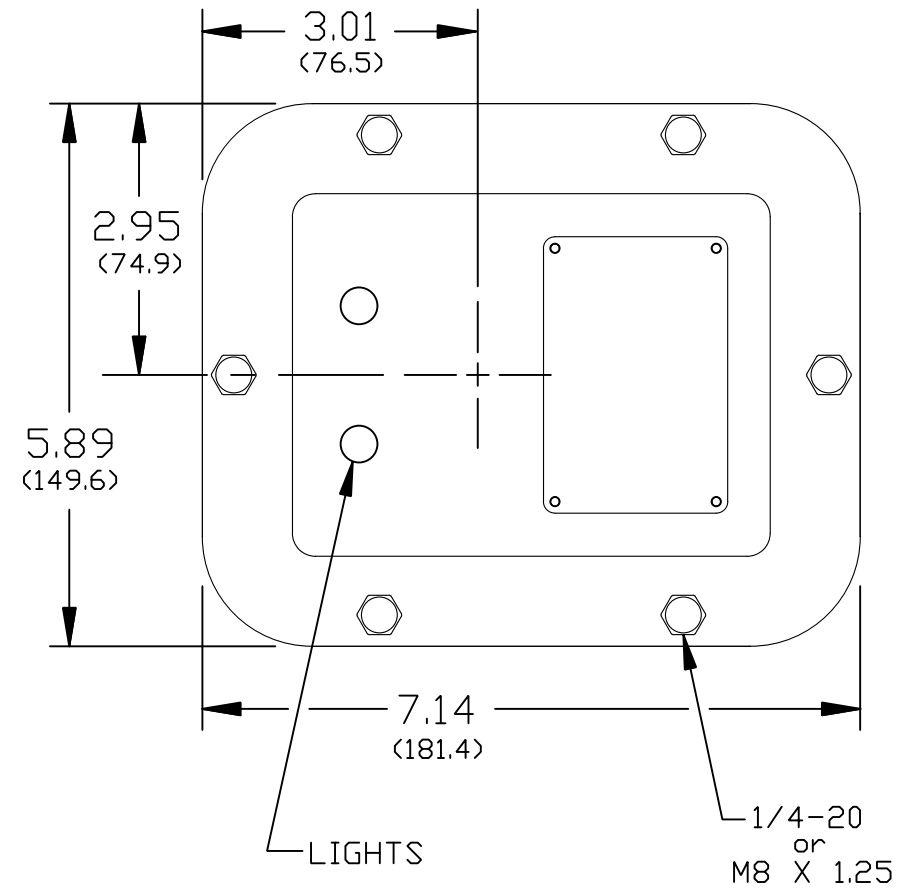
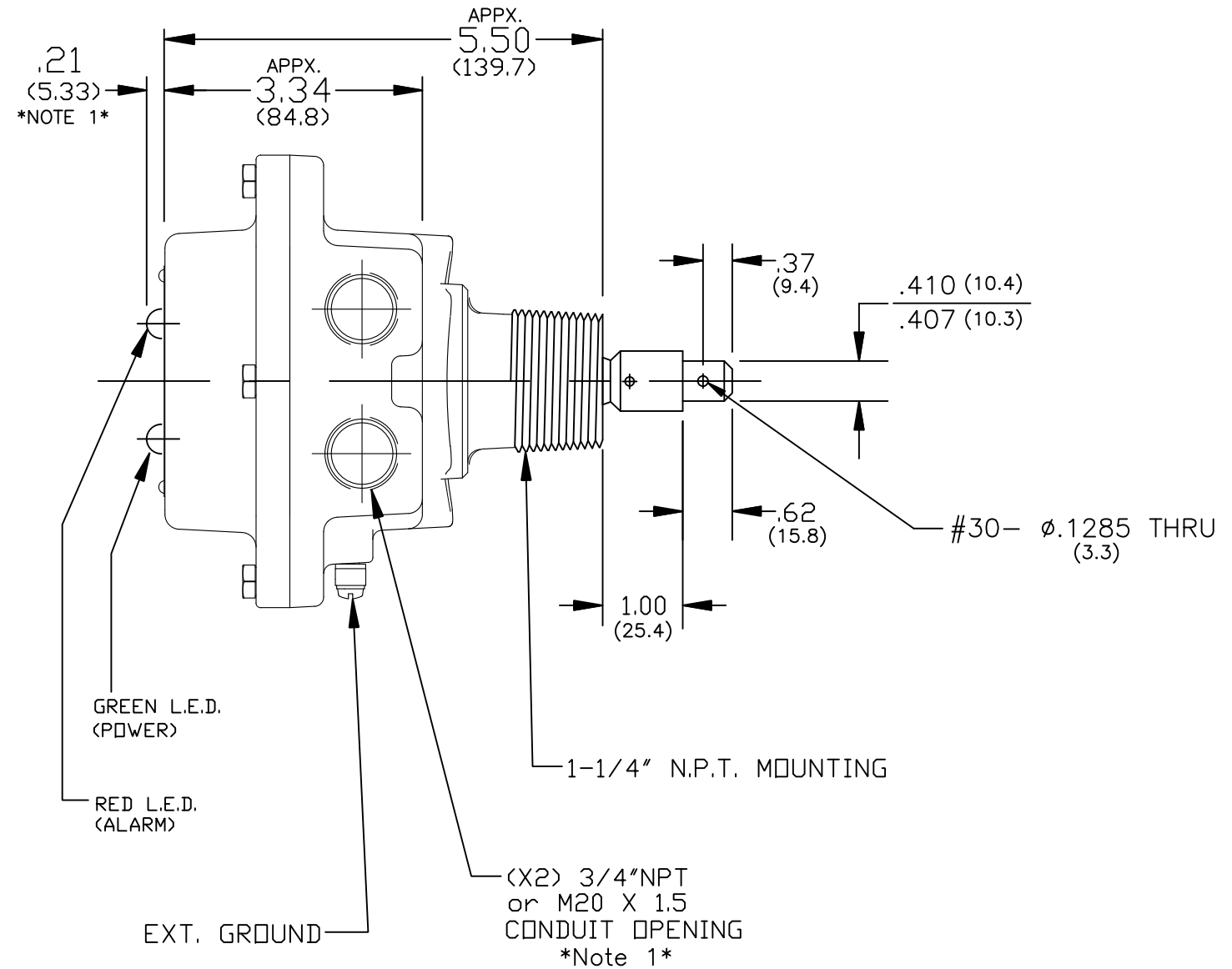


TOP VIEW



SIDE VIEW



*STD POWER PACK WITHOUT MOUNTING PLATE

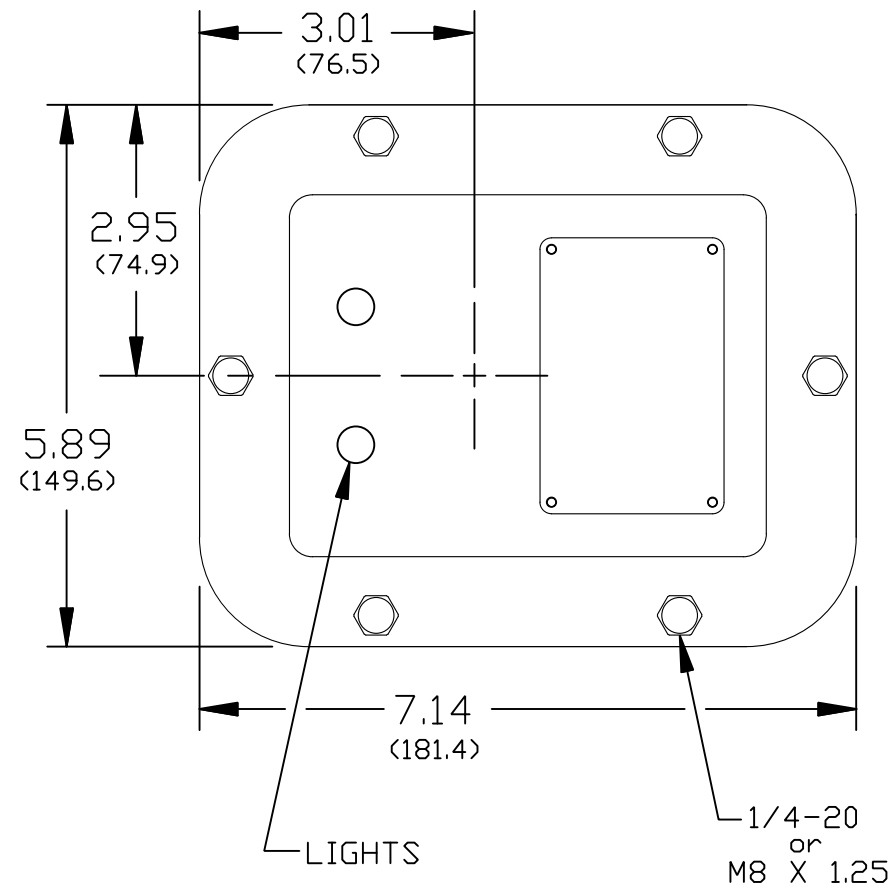
NOTE
1-FOR HORIZONTAL MOUNTING, CONDUIT OPENINGS MUST FACE DOWNWARDS AND INCLUDE DRIPLOOP.

PROPRIETARY NOTICE
THIS DOCUMENT AND THE DATA DISCLOSED HEREIN OR HERewith IS NOT TO BE REPRODUCED, USED, OR DISCLOSED IN WHOLE OR IN PART TO ANYONE WITHOUT THE PERMISSION OF VENTURE MEASUREMENT, LLC.

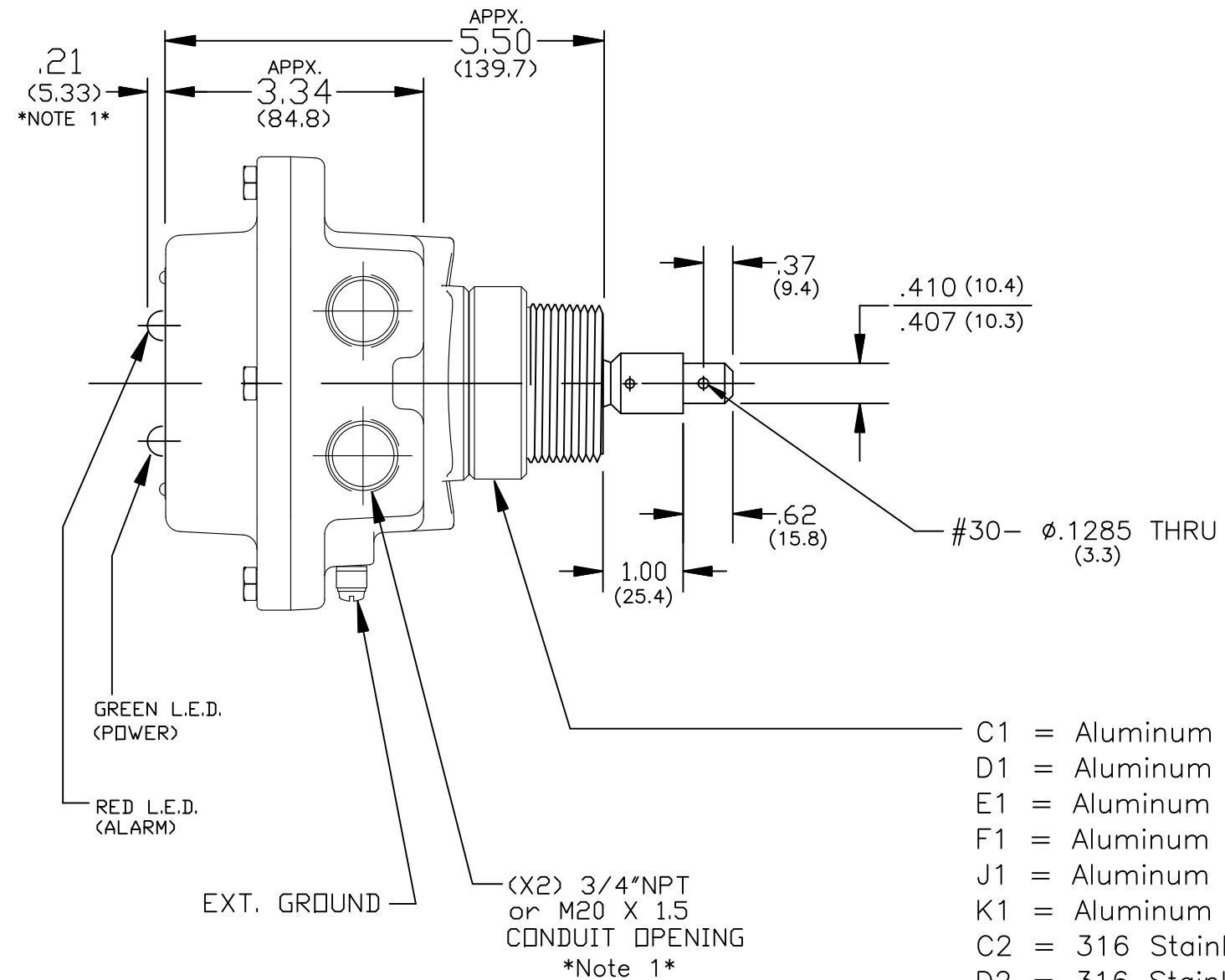
DO NOT SCALE. DIMENSIONS ARE IN INCHES. BRACKETED DIMENSIONS ARE IN MILLIMETERS.

venture MEASUREMENT 150 VENTURE BLVD. SPARTANBURG, SC 29306		TITLE Outline Dimensional drawing for RotoPro (formerly Next Gen.)	SCALE NONE
FILE LAR3E0001		REF	SIZE B
A	INIT. RELEASE 14-147 SE 6-26-14	DRAWN BY DATE	APP'D BY DATE
REVISIONS		ECN #	PART LAR3E0001
		UNSPECIFIED TOLERANCES DECIMALS: XX ±=.01 XXX ±=.005 ANGLES: ±=1/2" DEBURR & BREAK EDGES .005 ① = CRITICAL DIM. OR NOTE	SHEET 1 of 7

TOP VIEW



SIDE VIEW



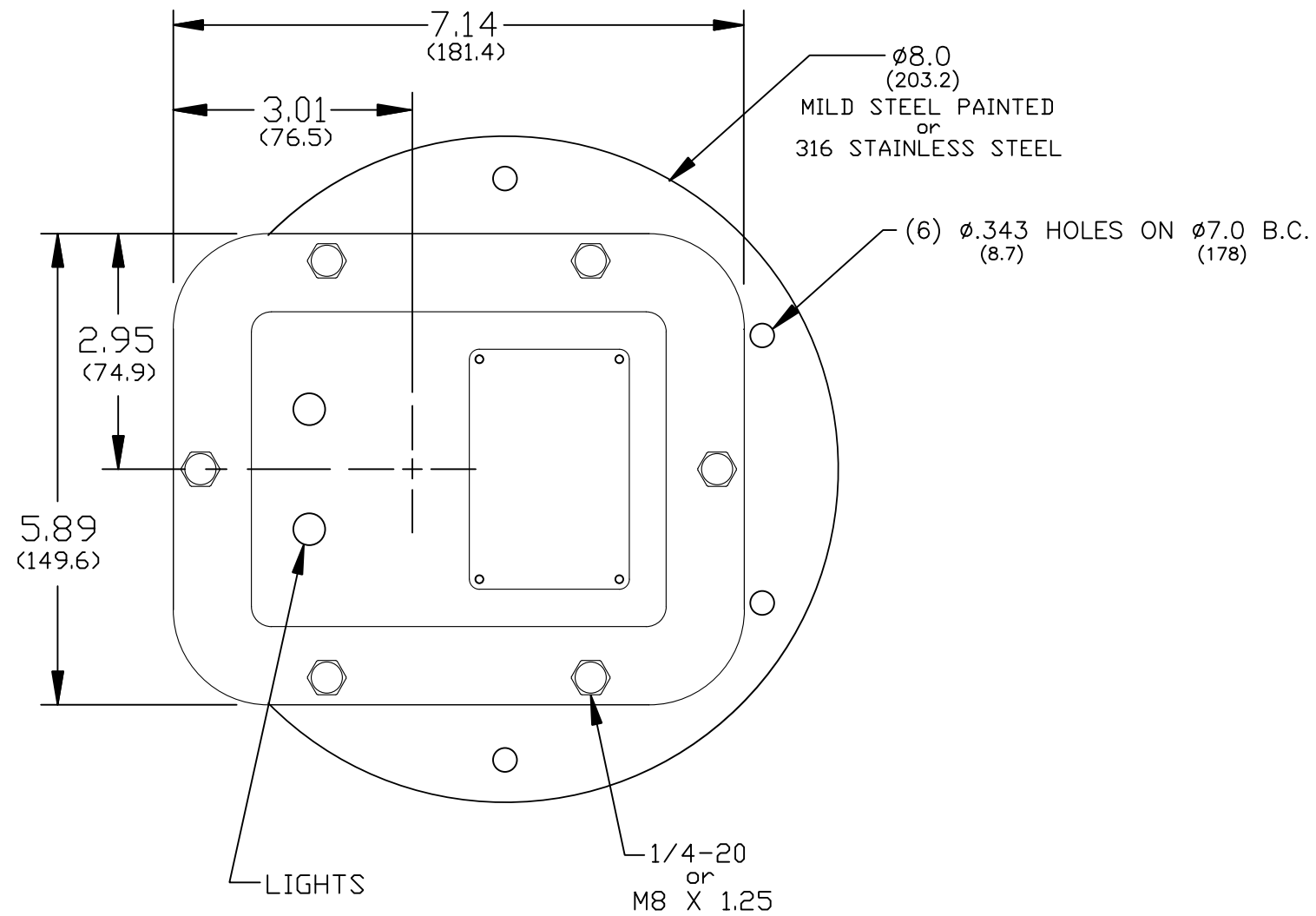
- C1 = Aluminum NPT 1-1/4"
- D1 = Aluminum NPT 1-1/2"
- E1 = Aluminum BSP Tapered R 1-1/4"
- F1 = Aluminum BSP Tapered R 1-1/2"
- J1 = Aluminum BSP Straight G 1-1/4"
- K1 = Aluminum BSP Straight G 1-1/2"
- C2 = 316 Stainless Steel NPT 1-1/4"
- D2 = 316 Stainless Steel NPT 1-1/2"
- E2 = 316 Stainless Steel BSP Tapered R 1-1/4"
- F2 = 316 Stainless Steel BSP Tapered R 1-1/2"
- J2 = 316 Stainless Steel BSP Straight G 1-1/4"
- K2 = 316 Stainless Steel BSP Straight G 1-1/2"

NOTE
1-FOR HORIZONTAL MOUNTING, CONDUIT OPENINGS MUST FACE DOWNWARDS AND INCLUDE DRIPLOOP.

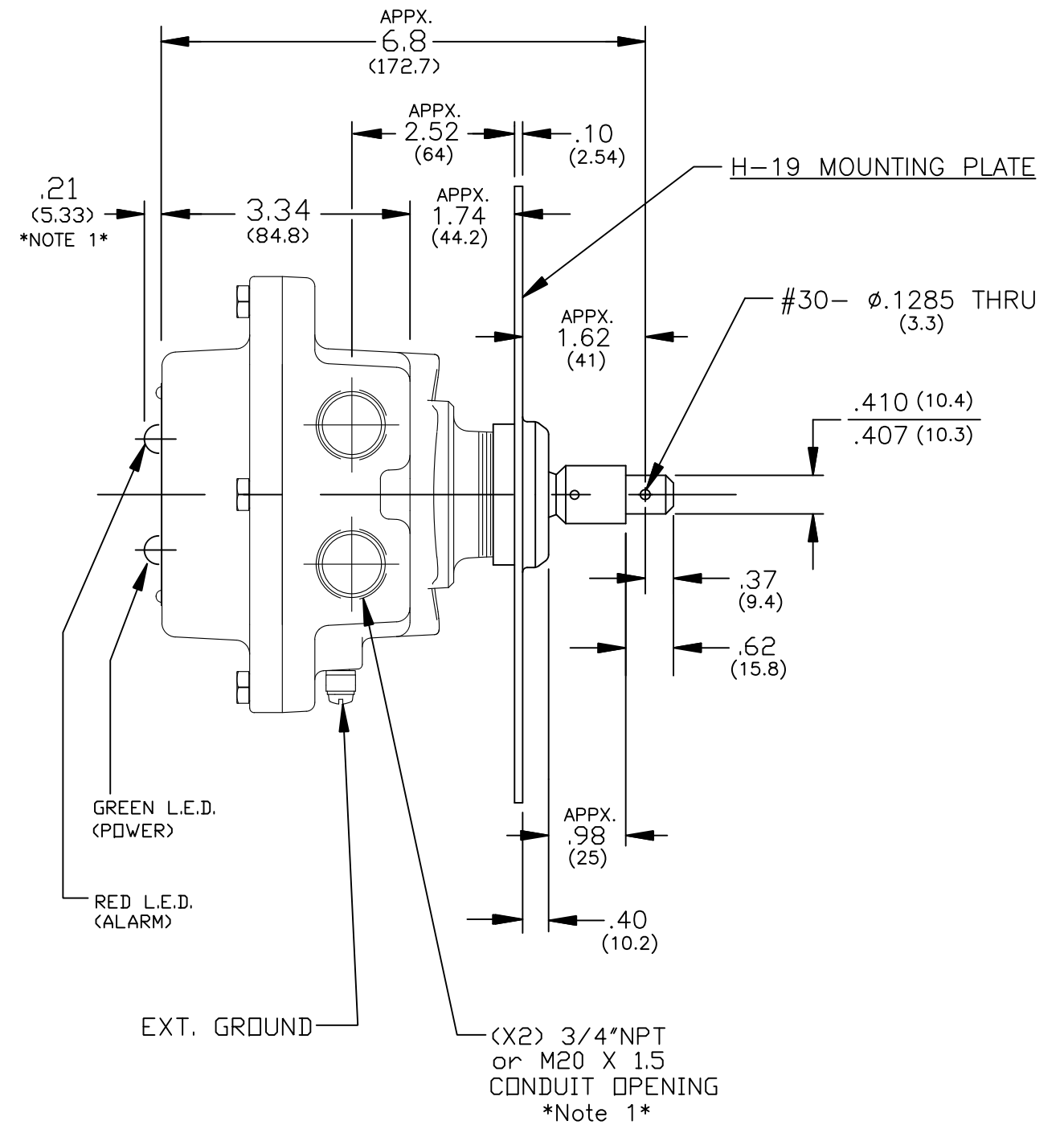
*STD POWER PACK WITH PROCESS FITTINGS AND WITHOUT MOUNTING PLATE

DO NOT SCALE. DIMENSIONS ARE IN INCHES.
BRACKETED DIMENSIONS ARE IN MILLIMETERS.

TOP VIEW

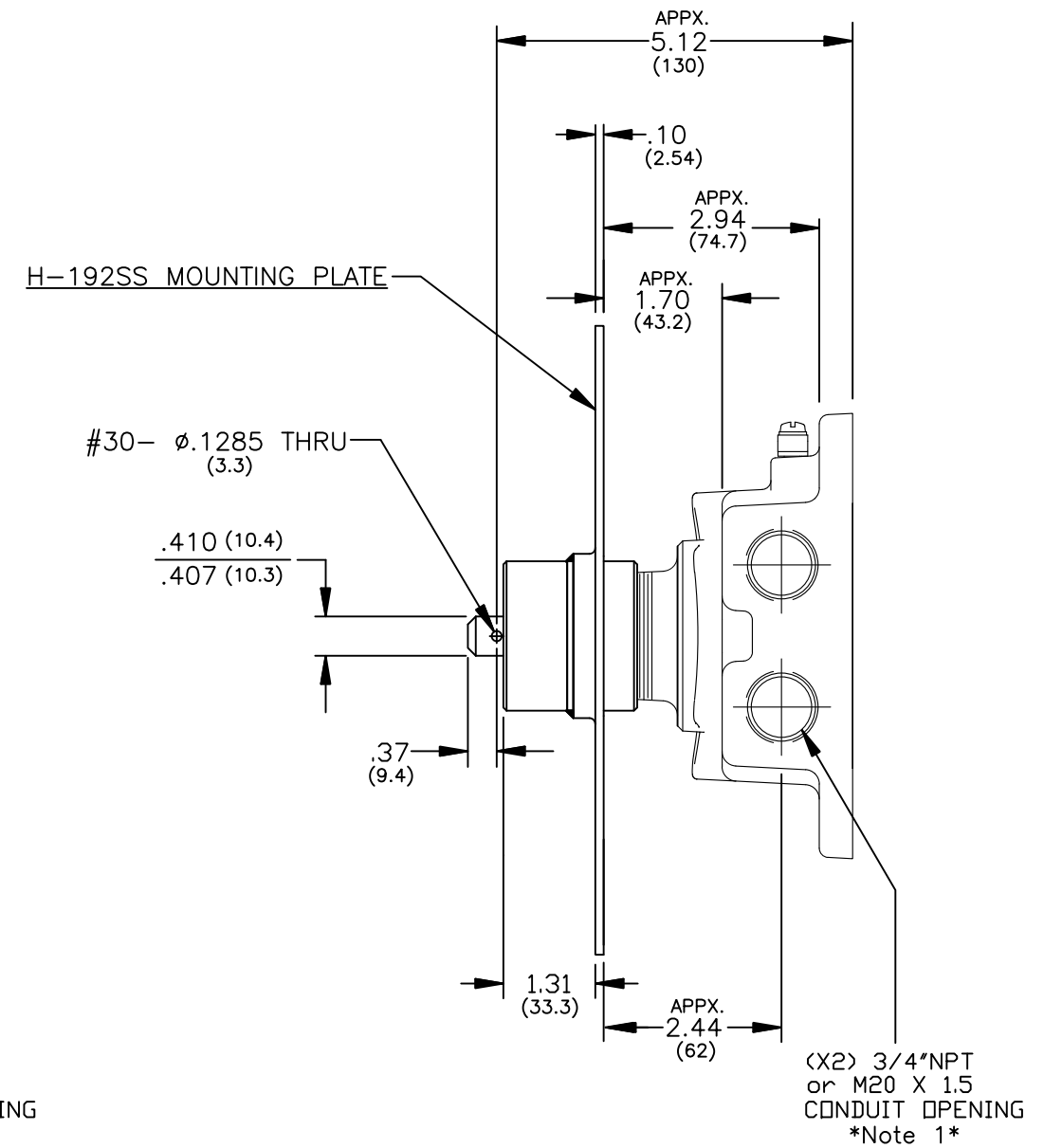
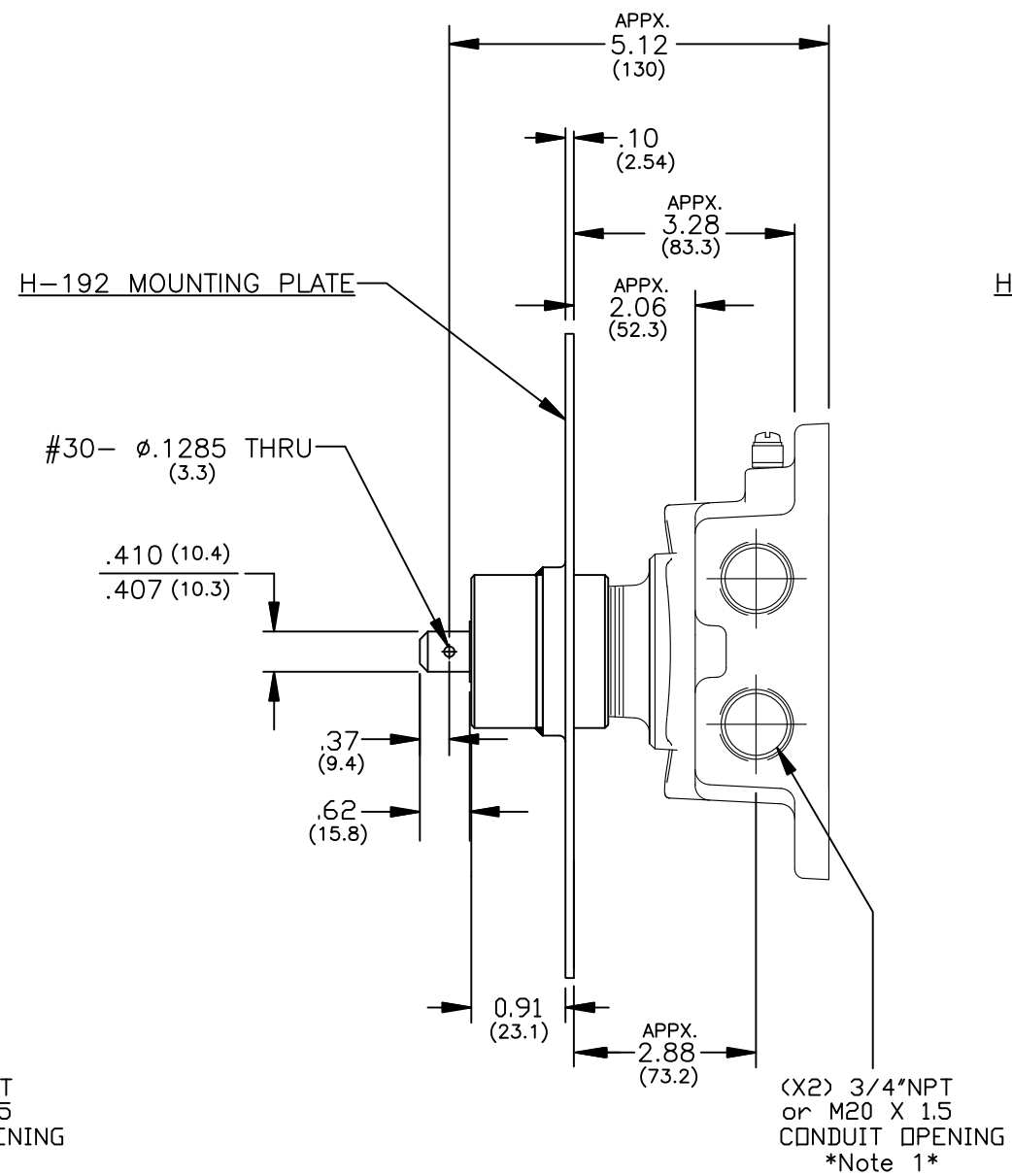
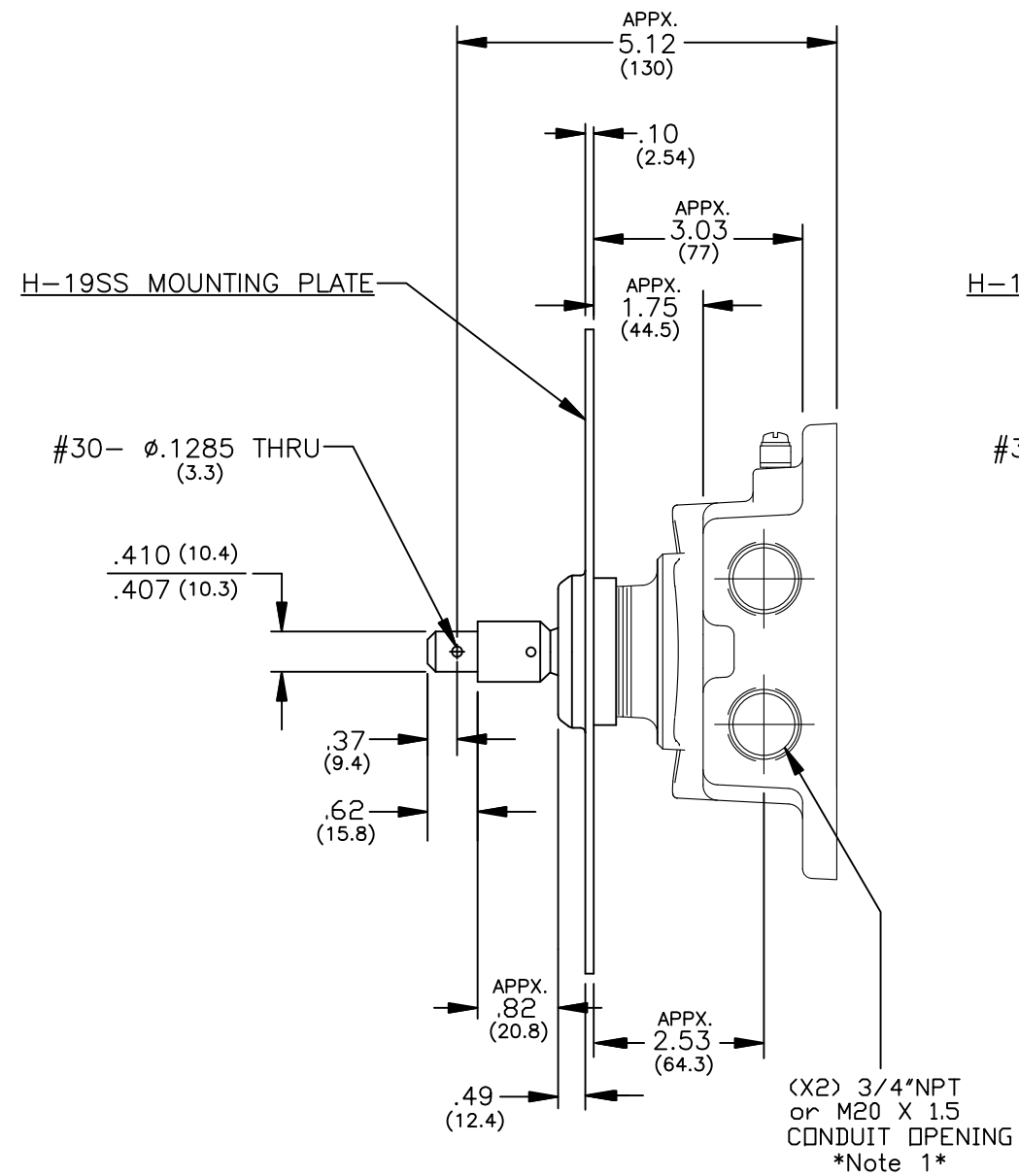


SIDE VIEW



NOTE
 1-FOR HORIZONTAL MOUNTING, CONDUIT OPENINGS MUST FACE DOWNWARDS AND INCLUDE DRIPLOOP.

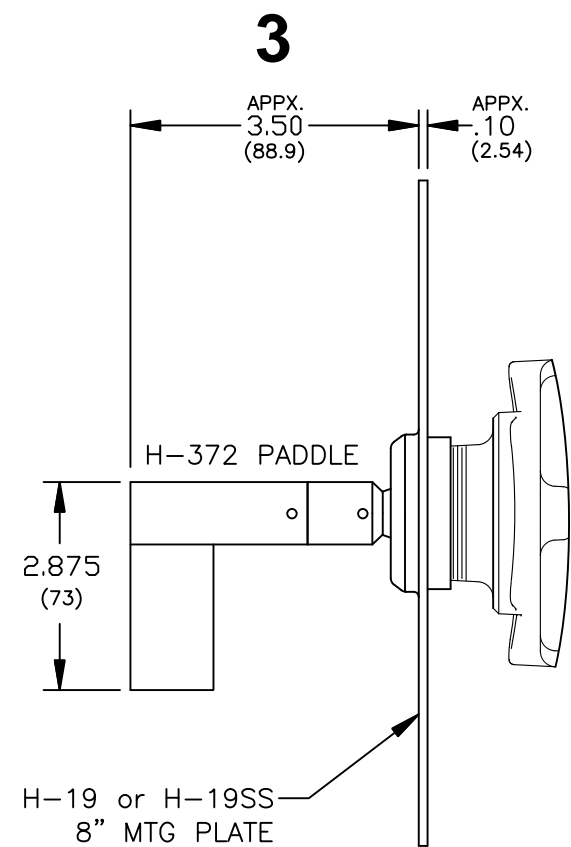
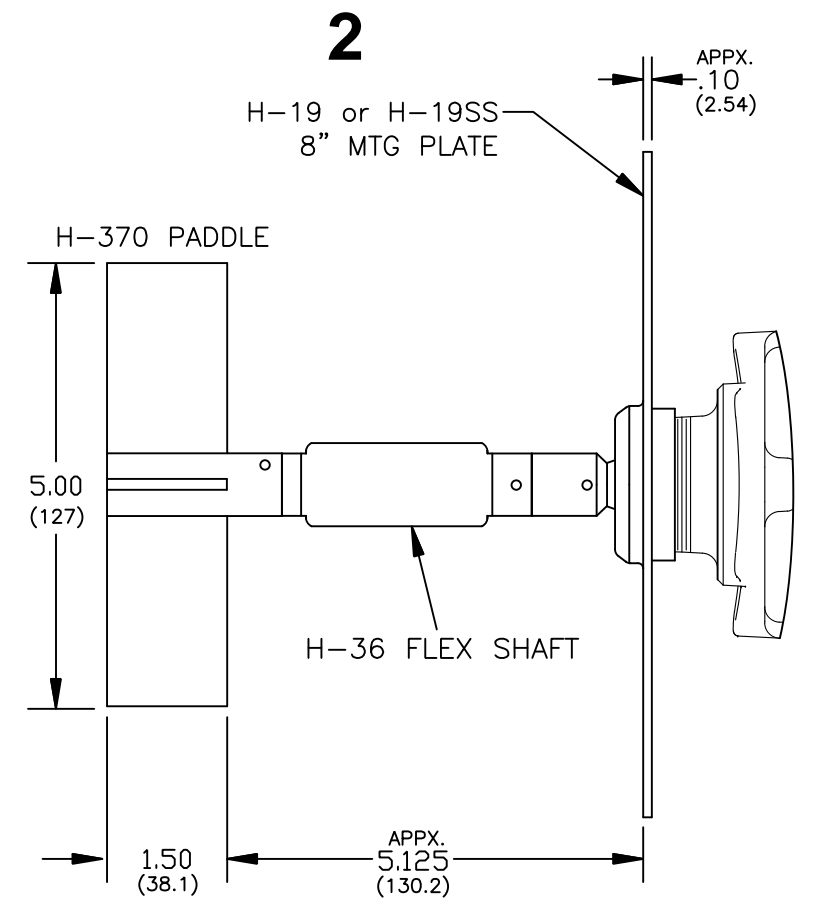
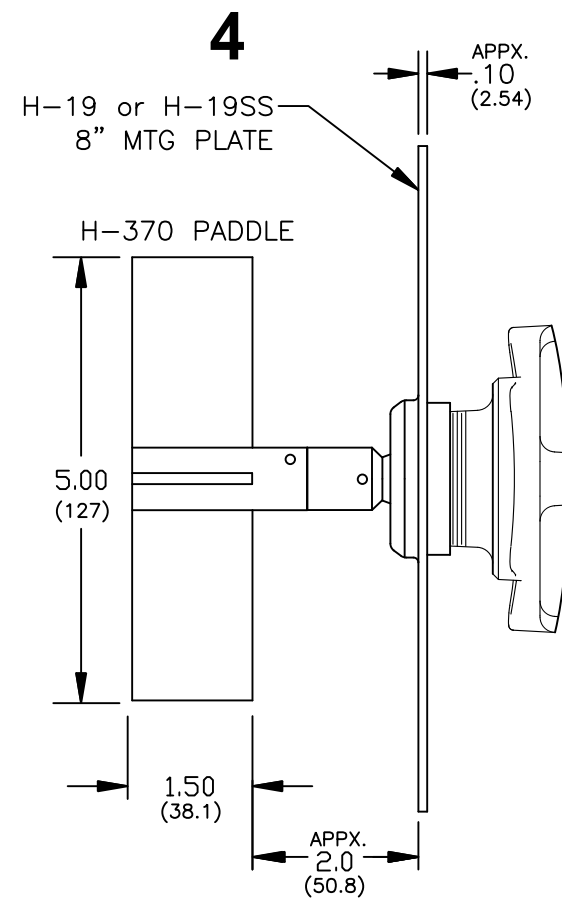
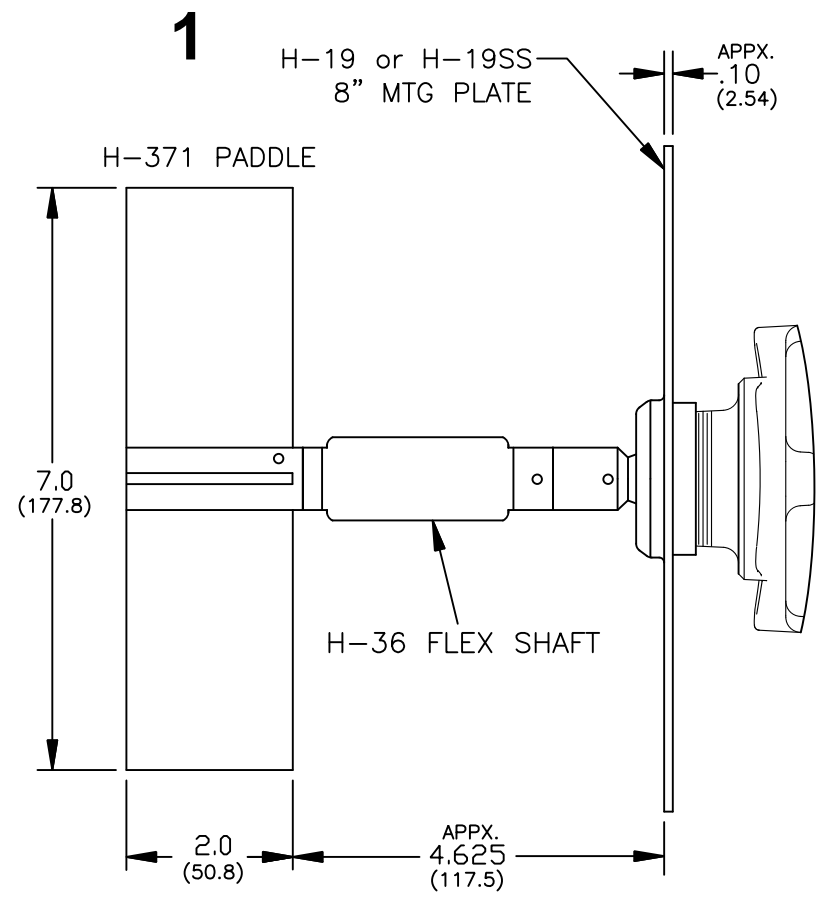
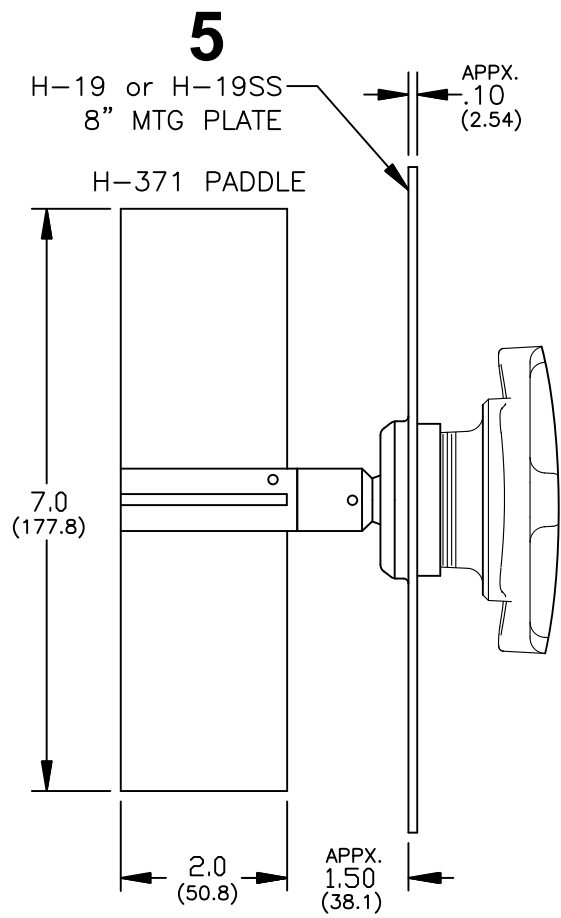
*STD POWER PACK WITH H-19 MOUNTING PLATE



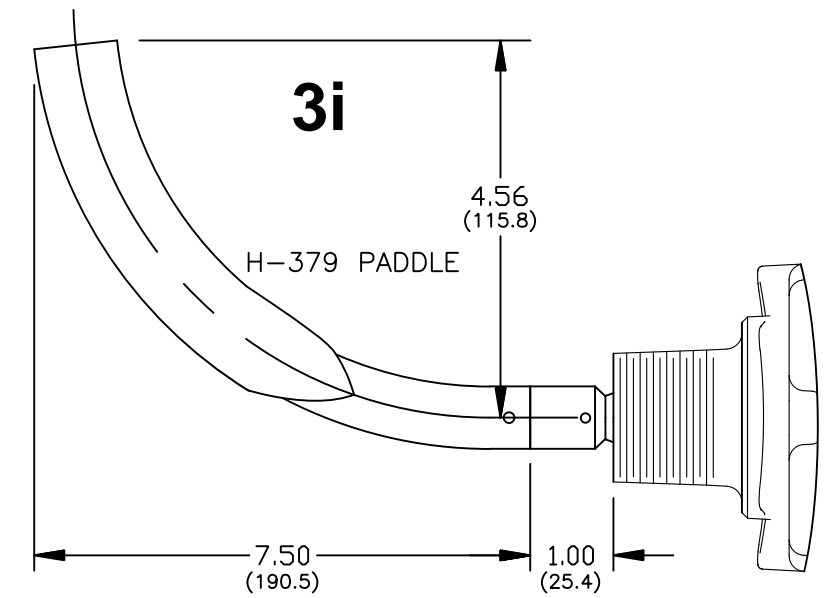
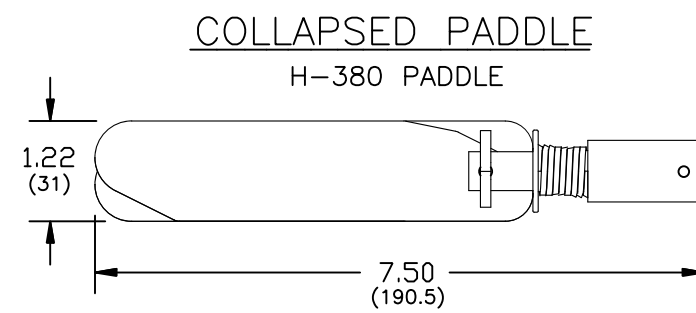
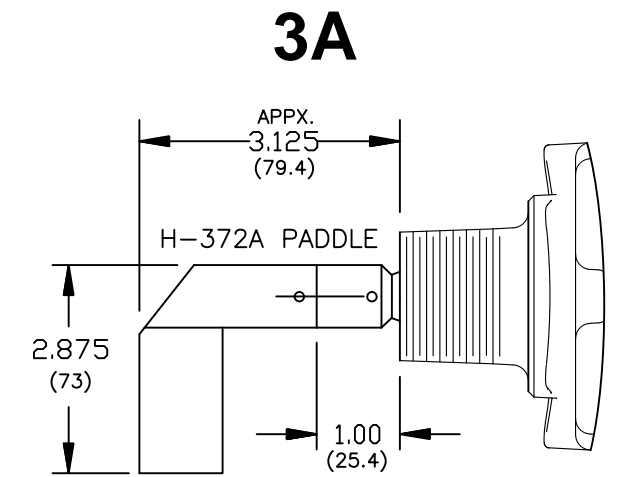
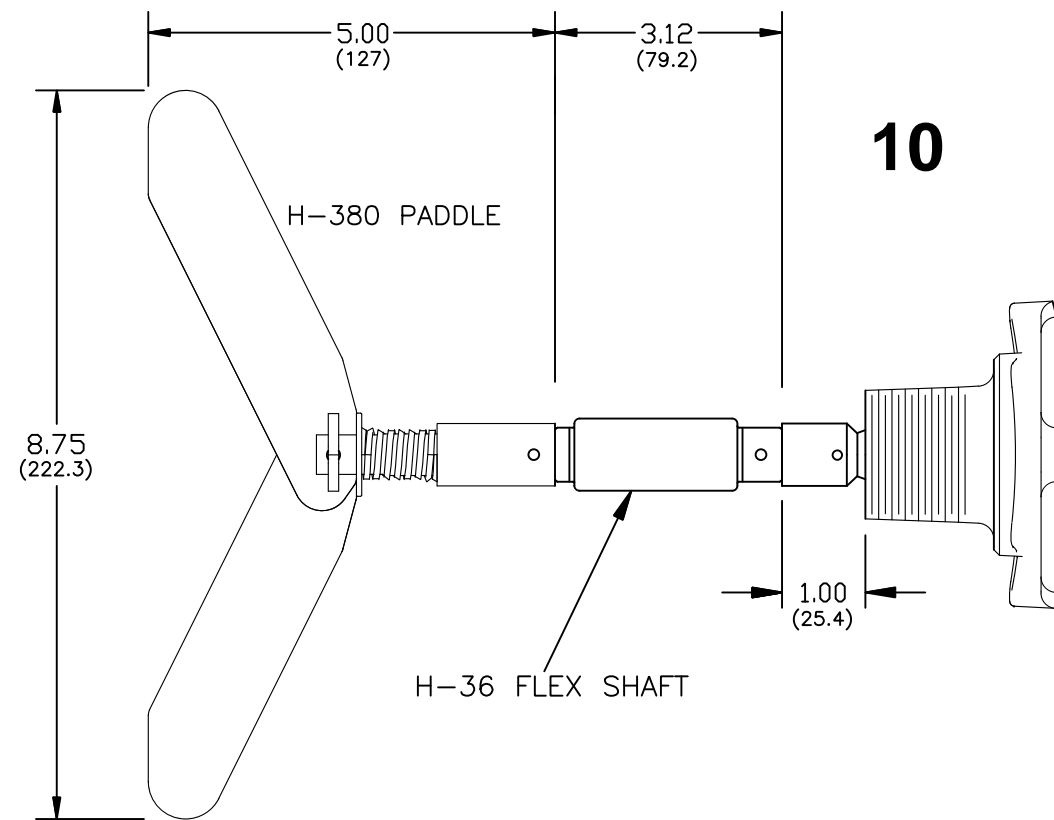
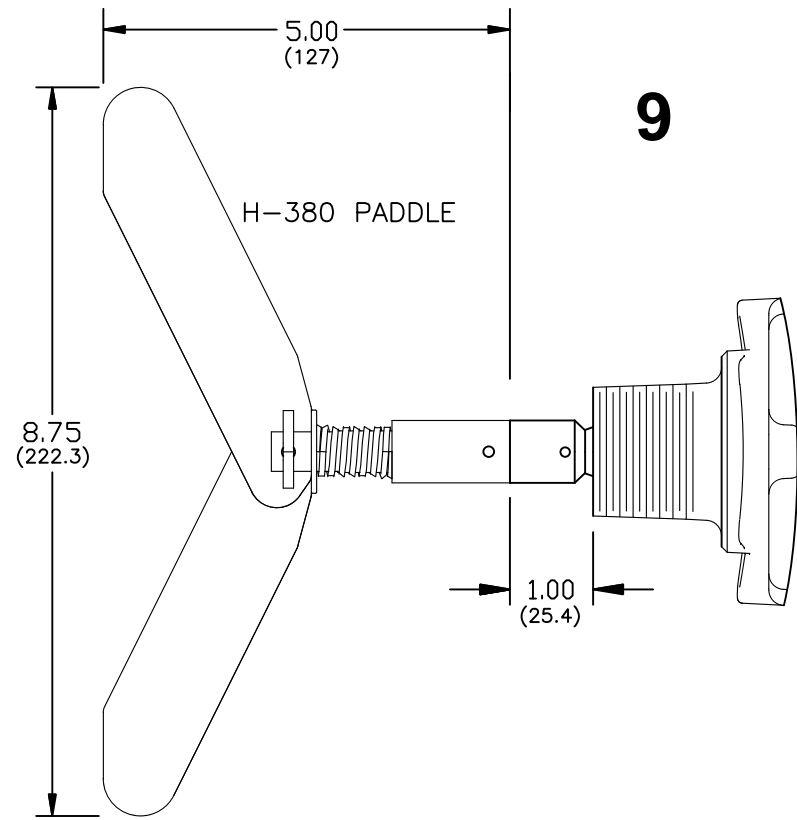
NOTE
 1-FOR HORIZONTAL MOUNTING, CONDUIT OPENINGS MUST FACE
 DOWNWARDS AND INCLUDE DRIPLOOP.

*BOTTOM HALF VIEW OF STD POWER PACK WITH
 H-19SS, H-192, AND H-192SS MTG PLATES

DO NOT SCALE. DIMENSIONS ARE IN INCHES.
 BRACKETED DIMENSIONS ARE IN MILLIMETERS.

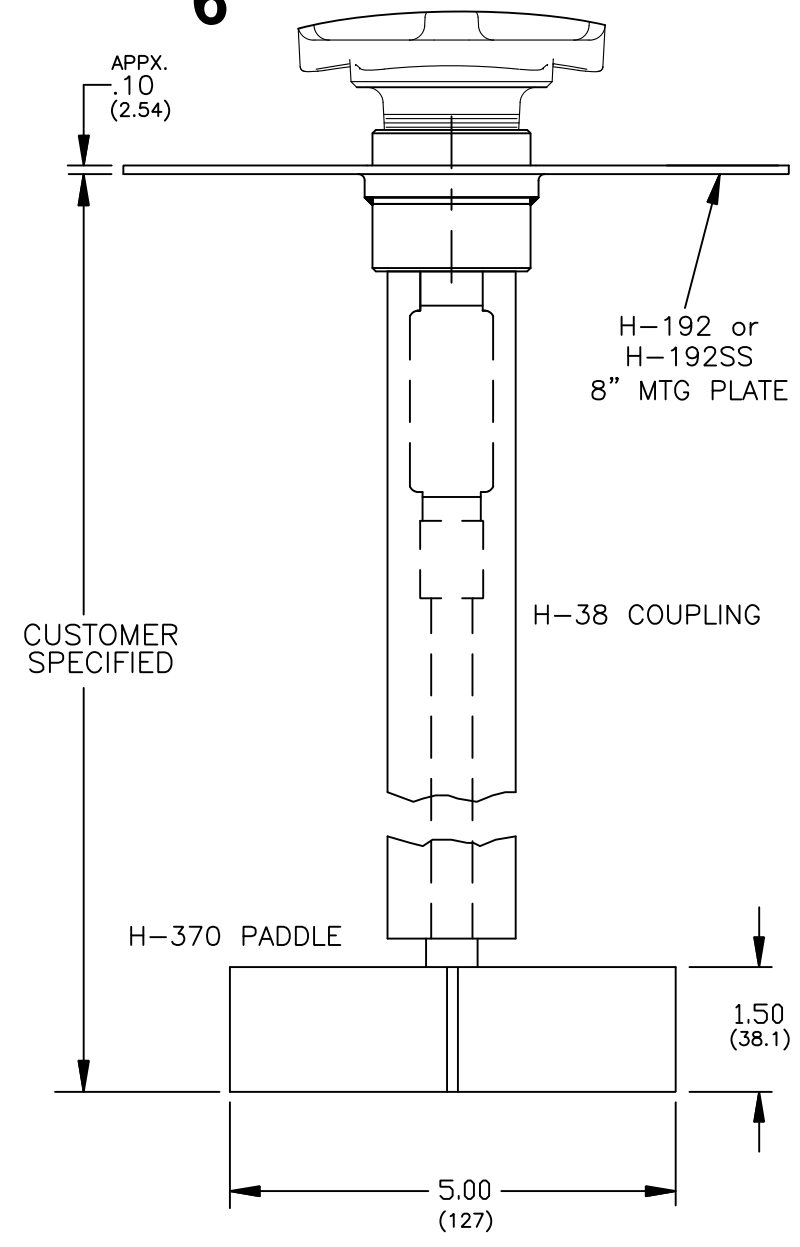


DO NOT SCALE. DIMENSIONS ARE IN INCHES.
BRACKETED DIMENSIONS ARE IN MILLIMETERS.

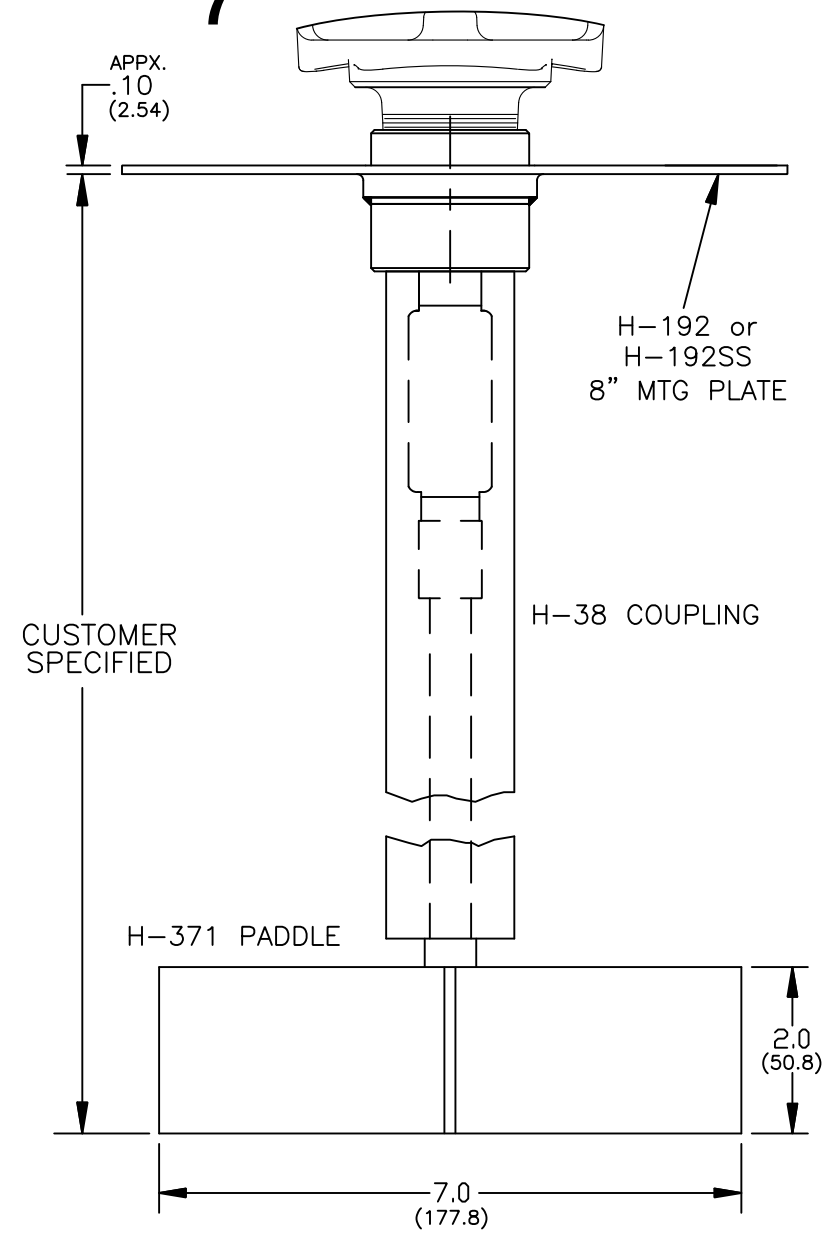


DO NOT SCALE. DIMENSIONS ARE IN INCHES.
BRACKETED DIMENSIONS ARE IN MILLIMETERS.

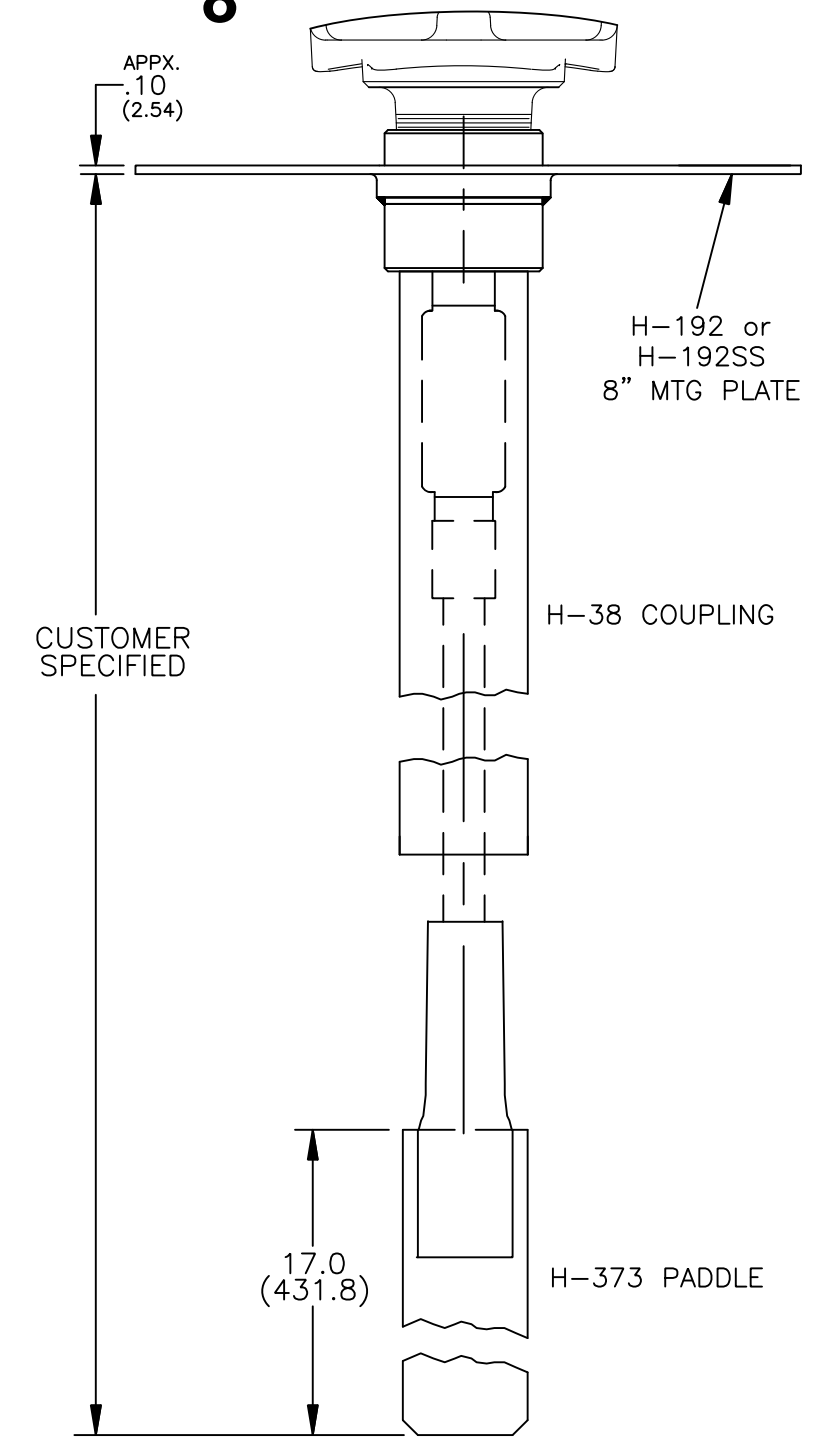
6



7



8



DO NOT SCALE. DIMENSIONS ARE IN INCHES.
 BRACKETED DIMENSIONS ARE IN MILLIMETERS.