



VERSATILE ENOUGH TO BECOME YOUR GLOBAL STANDARD

The Roto-Bin-Dicator is the most universal of all level sensing technologies and is the most popular level switch used in dry bulk materials. The Roto-Bin-Dicator is a rotating paddle type, bulk material level sensor offered with a wide variety of paddle options for unequaled application versatility. It is easy to install and requires no special tools or calibration.

FEATURES AND BENEFITS

- A simple, mechanical mechanism means no calibration is required for quick installation
- Long-lasting, sealed motor keeps maintenance and replacement costs low
- External Indicator Lights to communicate functionality of the unit
- Extensive Paddle Options to adapt to a variety of applications
- Adjustable Time Delay is field selectable to modify if the application needs change.
- An external function test using the Test FOB allows a check of the unit without having to remove the cover.
- For added security, Fail-Safe Selection is available
- Frame designed to enable connection flexibility
Imperial or Metric conduit entry options
Process Fitting can be made to fit any connection

SPECIFICATIONS

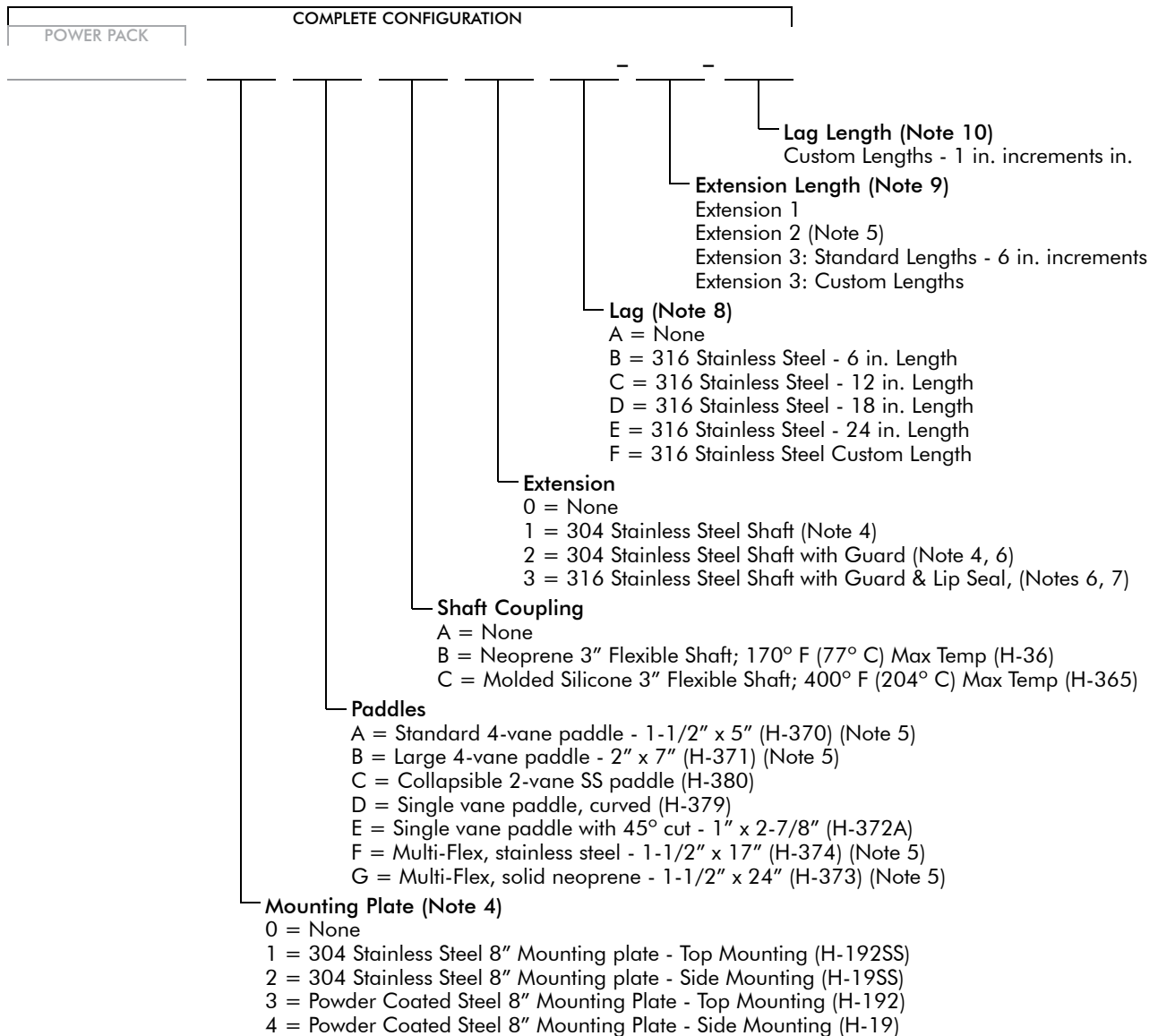
FUNCTIONAL

Power Requirements	Super-Safe: 24 VDC Super-Safe Plus: 120/240 VAC; 50/60 Hz
Power Consumption	7 watts
Motor	Super-Safe: 1 rpm; Super-Safe Plus: 1 rpm
Fuse	1/8 amp internally fused
Contact Ratings	Level Alarm: Super-Safe: DPDT, 5A @ 277 VAC, 5A @ 30 VDC; Super-Safe Plus: SPDT 10A @ 125 VAC, 6A @ 277 VAC, 5A @ VDC Failure Indication: Super-Safe NA; Super-Safe Plus: SPDT, 0.6 amp @ 125 VAC
Fail-Safe Circuitry	Low or high level field selectable
Process Temperature	-20° to 302° F (-29° to 150° C) Standard Up to 500° F (Up to 260° C) with Extension 3 and Lag
Time Delay	Super-Safe: 3 to 10 seconds; Super-Safe Plus: 3 to 30 seconds

PHYSICAL

Drive Shaft Assembly	Precision machined shaft with two shielded ball bearings
Shaft Seal	Teflon®/Viton® Lipsel rated 1/2 micron at 30 psi (2.1 kg/cm ²) at 400° F (204° C)
Housing and Cover	Type 4X/IP66; Polyester-coated aluminum casting
Mounting Plate	8" outside diameter with 1 1/4" NPT pipe threaded coupling; standard polyester coated mild steel; optional 304 stainless steel; H-19 Half Coupling; H-192 Full Coupling
Conduit Entry	3/4" NPT or M20 x 1.5
Rigid Shaft and Paddle	Metal parts of all designs are 316 stainless steel
Flex Shaft	Either Neoprene, 155° F (68° C) or Silicone, 400° F (204° C) coatings
Pulse Wheel	Multi-toothed pulse wheel with an opti-reflective circuit
External Lights	Green (power/diagnostics) and red (alarm/diagnostics) lights
Shipping Weight	Aluminum housing 10 lbs (4.5 kg); stainless steel housing 16 lbs (7.3 kg)

ROTO-BIN-DICATOR - ORIGINAL - PART TWO

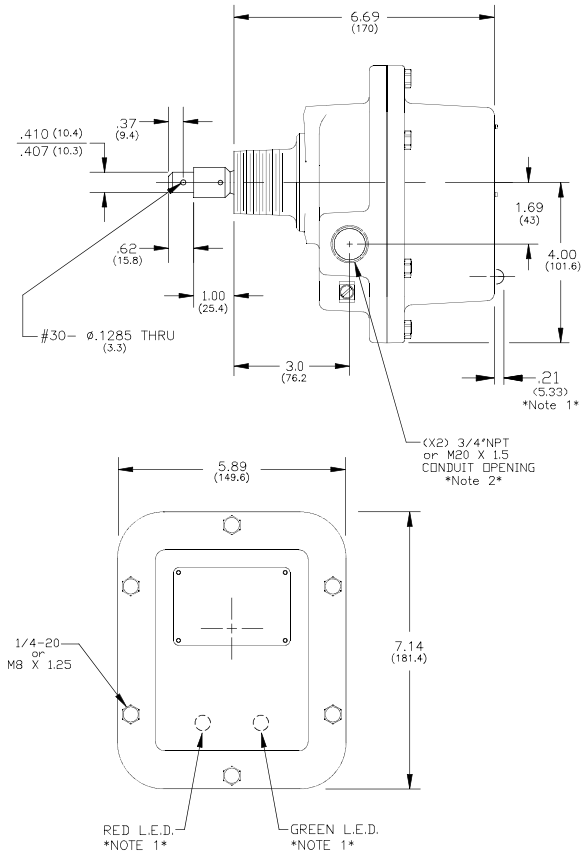


Notes:

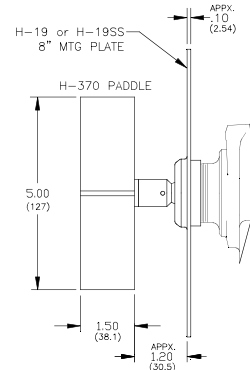
- Hazardous location approval not available with stainless steel Housing Finish
- Function Test FOB not available with stainless steel Housing Finish
- For Mounting Plates Process Fitting must be X1, X2, or C2. Extensions 1 and 2 must use Mounting Plate 1 or 3 (Top Mounted)
- Mounting plate is required.
- Shaft guard length will be 2 in. (5 cm) shorter than extension length unless otherwise noted
- Process Fitting cannot be X1 or X2 and maximum length is 36 in. (91 cm) and if used with Extension, the maximum total length is 48 in. (122 cm)
- Lag not available with process fitting X1 or X2, and if used with Extension, the maximum total length is 48 in. (122 cm)
- Maximum extension length is 180 in. (4.6 m), minimum length is 3 in. (7.6 cm); leave blank if not used.
- Maximum lag length is 24 inches, minimum length 1 in. (2.5 cm); leave blank if not used
- EPDM Flat gasket is included for Process Fittings with straight threads.
- X2 Process Fitting and Stainless Steel Housing Finish can only be ordered together.
- M2 and N2 Process Fitting only available with C, D, E, F and G Paddles.

Super-Safe & Super-Safe Plus Roto-Bin-Dicator®

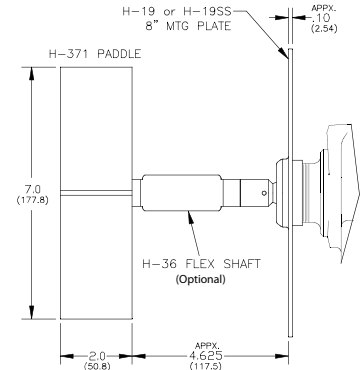
Housing Dimensions



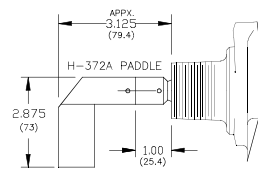
Standard 4-Vane Paddle



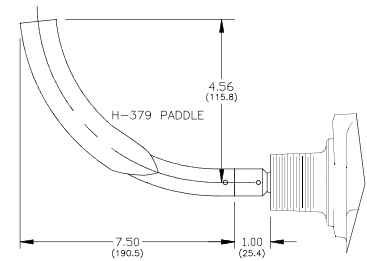
Large 4-Vane Paddle



Single Vane Paddle 45° Cut



Single Vane Paddle Curved



AGENCY APPROVALS

UL (US and Canada)

- Ordinary Location, Type 4X; IP66
- Hazardous Locations, Type 4X; IP66 (Pending)
Explosion Proof
Dust Ignition Proof

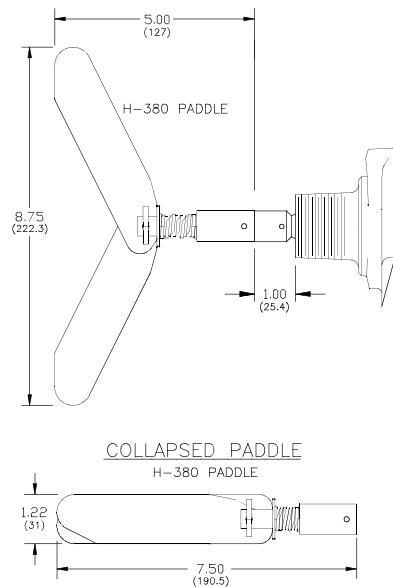
ATEX/IEC/IECex (Pending)

- Dust and Gas Categories

CE

- Electromagnetic Compatibility Directive
- Low Voltage Directive

Collapsible Paddle



150 Venture Boulevard · Spartanburg, SC 29306
 Tel: (800) 778-9242 · (864) 574-8060
 Fax: (864) 574-8063
 E-mail: sales@bindicator.com
 www.bindicator.com

venture
MEASUREMENT

LAR180103 Rev. G

2014 All rights reserved.
 All data subject to change without notice.