

7A, 7B, 7C, & 7D DOME FLUSH SHOWN

MOUNTING SURFACE PREPARATIONS

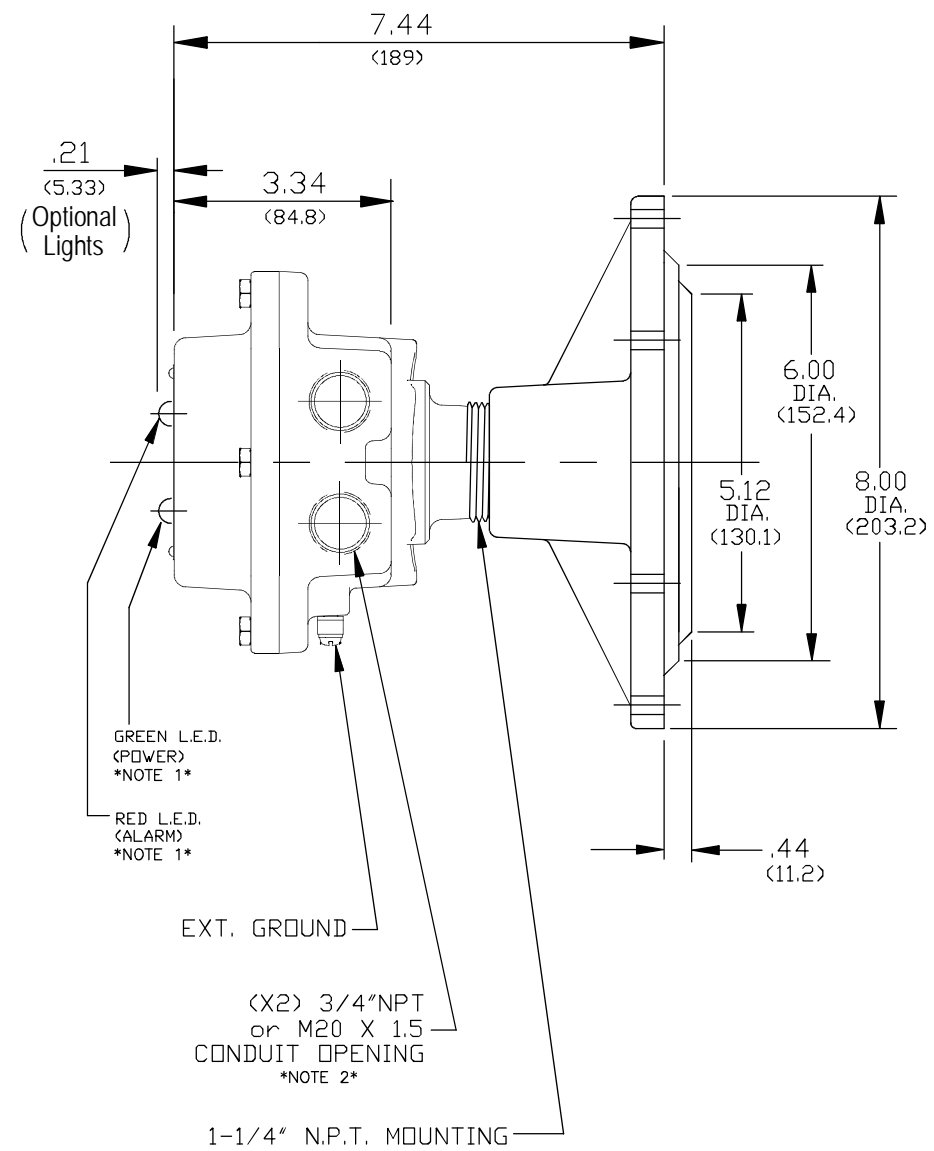
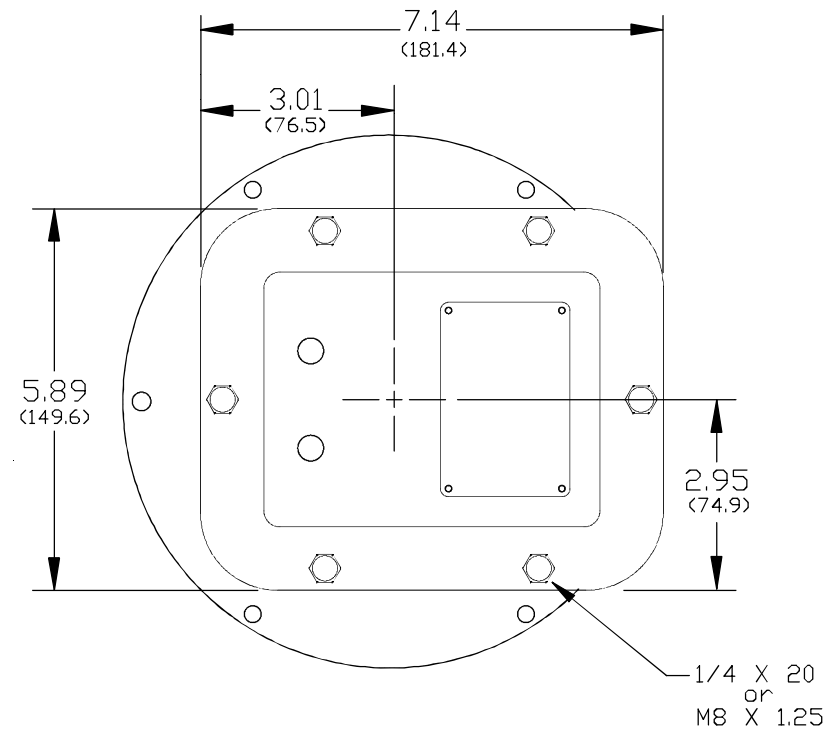
1. LAY OUT TWO CONCENTRIC CIRCLES ON BIN WALL AT POINT WHERE THE RF LEVEL CONTROL IS TO BE MOUNTED. ONE CIRCLE TO BE 6-1/8" DIA.; THE OTHER 7-7/16" DIA.
2. CUT OUT 6-1/8" DIA. CIRCLE.
3. LAY OUT SIX EQUALLY SPACED HOLES ON 7-7/16" DIA. CIRCLE. DRILL OR TAP FOR 1/4" BOLTS OR CAP SCREWS.

\*NOTE\*  
 1—ONLY UNITS WITH ADVANCED ELECTRONICS WILL HAVE LIGHTS.  
 2—FOR HORIZONTAL MOUNTING, CONDUIT OPENINGS MUST FACE DOWNWARDS AND INCLUDE DRIPLOOP.

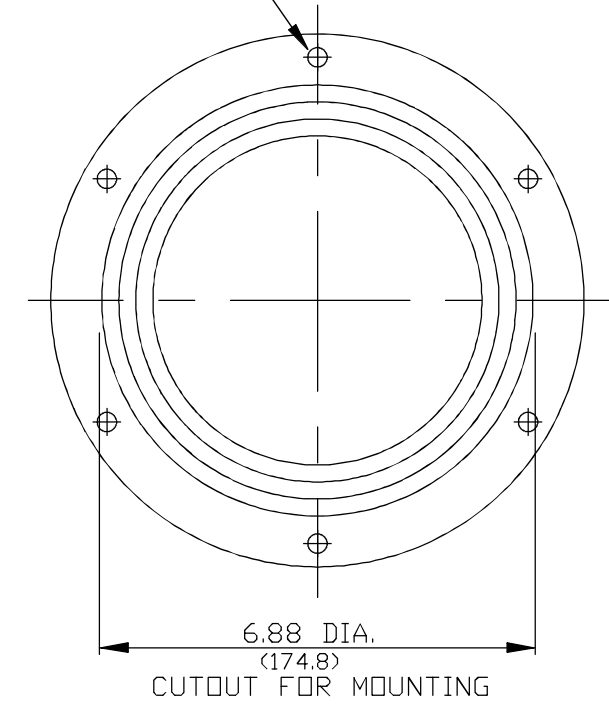
DO NOT SCALE. DIMENSIONS ARE IN INCHES.  
 BRACKETED DIMENSIONS ARE IN MILLIMETERS.

A	INIT. RELEASE	13-300	SE	8-22-13
	REVISIONS	ECN #	DRAWN BY	APP'D BY
			DATE	DATE

<b>venture</b> MEASUREMENT 150 VENTURE BLVD. SPARTANBURG, SC 29306	TITLE	OUTLINE DWG FOR VRFII FLUSH MOUNT	SCALE	NONE
	FILE	VRF285003	REF	
UNSPECIFIED TOLERANCES DECIMALS: XX ±=.01 XXX ±=.005 ANGLES: ±=1/2" DEBURR & BREAK EDGES .005 Ⓢ = CRITICAL DIM. OR NOTE	MATERIAL	-----	PART	VRF285003
	FINISH	-----		SHEET 1 of 2



9/32" DIA.(7.1) HOLE ON  
A 7.44"(189) BOLT DIA.  
6-PLC'S



### FLUSH PROBE SHOWN

### MOUNTING SURFACE PREPARATIONS

1. LAY OUT TWO CONCENTRIC CIRCLES ON BIN WALL AT POINT WHERE THE RF LEVEL CONTROL IS TO BE MOUNTED. ONE CIRCLE TO BE 6-1/8" DIA.; THE OTHER 7-7/16" DIA.
2. CUT OUT 6-1/8" DIA. CIRCLE.
3. LAY OUT SIX EQUALLY SPACED HOLES ON 7-7/16" DIA. CIRCLE. DRILL OR TAP FOR 1/4" BOLTS OR CAP SCREWS.

\*NOTE\*  
1—ONLY UNITS WITH ADVANCED ELECTRONICS WILL HAVE LIGHTS.  
2—FOR HORIZONTAL MOUNTING, CONDUIT OPENINGS MUST FACE DOWNWARDS AND INCLUDE DRIPLOOP.

DO NOT SCALE. DIMENSIONS ARE IN INCHES.  
BRACKETED DIMENSIONS ARE IN MILLIMETERS.

PART	SHEET
VRF285003	2 of 2 Rev A