

X1 PROCESS FITTING SHOWN

NOTE
 1—ONLY UNITS WITH ADVANCED ELECTRONICS WILL HAVE LIGHTS.
 2—FOR HORIZONTAL MOUNTING, CONDUIT OPENINGS MUST FACE DOWNWARDS AND INCLUDE DRIPLOOP.

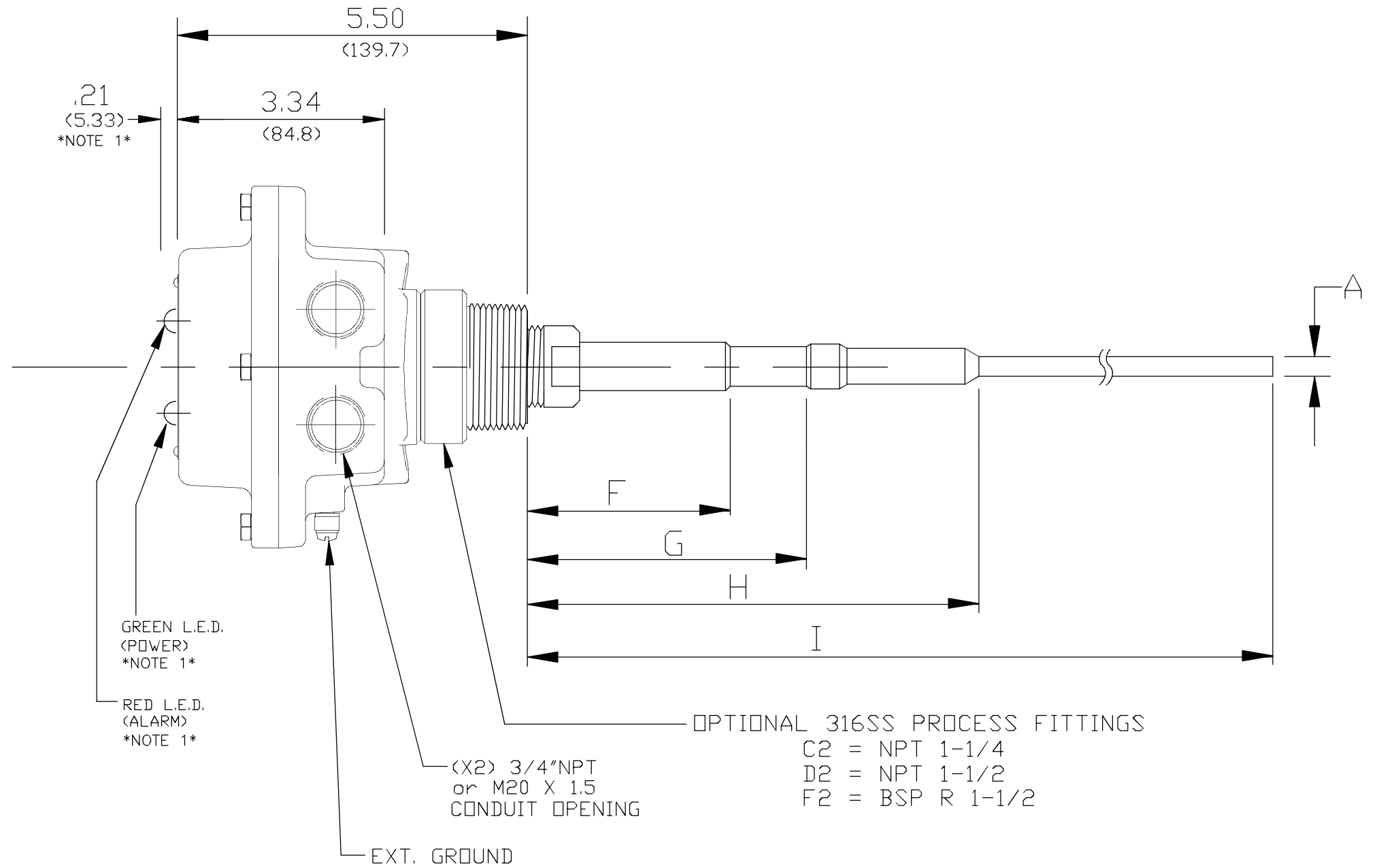
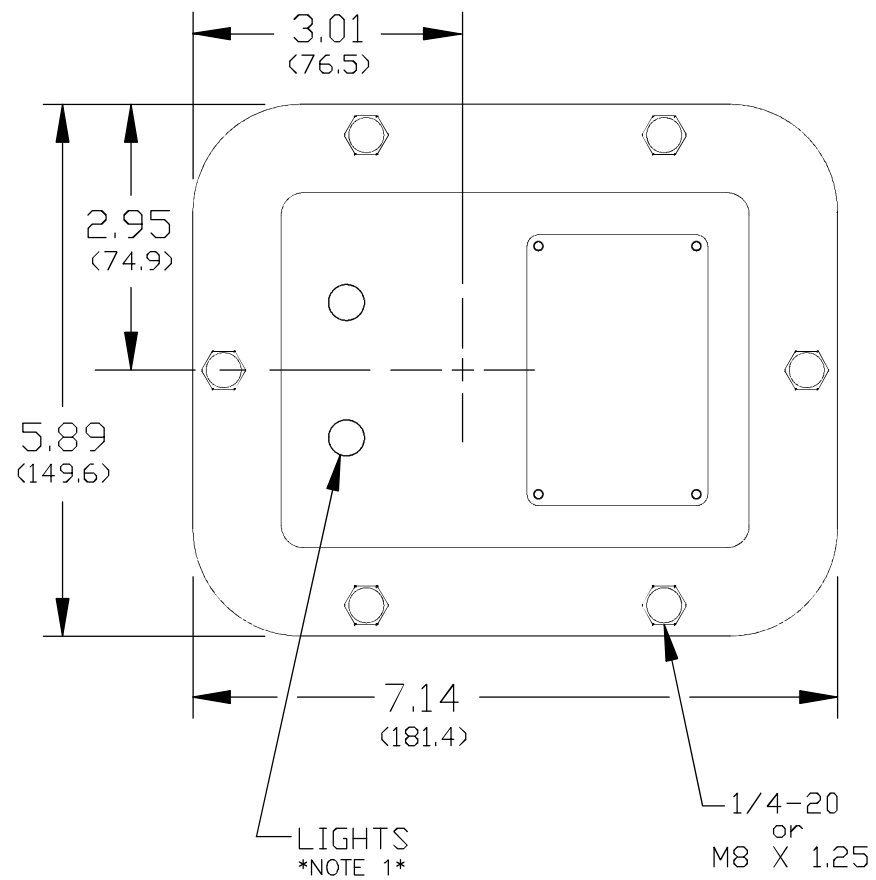
DO NOT SCALE. DIMENSIONS ARE IN INCHES.
 BRACKETED DIMENSIONS ARE IN MILLIMETERS.

I	15.25 (387.5)	19.25 (489)	15.25 (387.35)
H	7.00 (178)	11.75 (298.5)	3.63 (92.2)
G	4.50 (115)	10.00 (254)	3.25 (82.55)
F	3.38 (86)	8.5 (216)	2.75 (69.85)
E	14.25 (362)	18.25 (463.5)	14.25 (362)
D	6.00 (152.5)	10.75 (273)	2.63 (66.8)
C	3.50 (89)	9.00 (228.5)	2.25 (57.2)
B	2.38 (60.5)	7.50 (190.5)	1.75 (44.5)
A	.31 DIA. (8)	.38 DIA. (9.5)	.31 DIA. (8)
APPROX DIM'S	STD. & FOODGRADE	H.D.	STUB
PROBE TYPE	0 & 2	5 & 9	4

A	INIT. RELEASE	13-300	SE	8-13-13
REVISIONS		ECN #	DRAWN BY	APP'D BY
			DATE	DATE

 150 VENTURE BLVD. SPARTANBURG, SC 29306	TITLE	OUTLINE DWG FOR VRFII STANDARD UNIT		SCALE	NONE	
	FILE	VRF285001	REF		SIZE	B
UNSPECIFIED TOLERANCES DECIMALS: XX ±.01 XXX ±.005 ANGLES: ±=1/2" DEBURR & BREAK EDGES .005 Ⓢ = CRITICAL DIM. OR NOTE	MATERIAL	-----		PART	VRF285001	
	FINISH	-----			SHEET	1 of 2

TOP VIEW



NOTE
 1-ONLY UNITS WITH ADVANCED ELECTRONICS WILL HAVE LIGHTS.
 2-FOR HORIZONTAL MOUNTING, CONDUIT OPENINGS MUST FACE
 DOWNWARDS & INCLUDE DRIPLOOP.

OUTLINE DWG FOR VRFII STANDARD UNIT
 with C2, D2, & F2
 PROCESS FITTINGS

I	15.25 (387.5)	19.25 (489)	15.25 (387.35)
H	7.00 (178)	11.75 (298.5)	3.63 (92.2)
G	4.50 (145)	10.00 (254)	3.25 (82.55)
F	3.38 (86)	8.5 (216)	2.75 (69.85)
A	.31 DIA. (8)	.38 DIA. (9.5)	.31 DIA. (8)
APPROX DIM'S	STD. & FOODGRADE	H.D.	STUB
PROBE TYPE	0 & 2	5 & 9	4

DO NOT SCALE. DIMENSIONS ARE IN INCHES.
 BRACKETED DIMENSIONS ARE IN MILLIMETERS.