

# LA-MAN®

*We Make Compressed Air Work®*

## *Clean, Dry Compressed Air Starts with The Extractor/Dryer® Manufactured by LA-MAN Corporation*

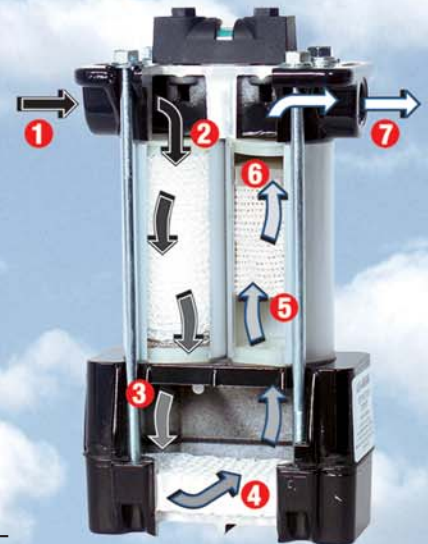
- Point of Use Compressed Air Filter to Improve and Extend Equipment Life
- Removes Liquids and Contaminates to a 5-Micron Rating; Lower Micron Ratings are Available
- Models with Flow Ranges of 15 SCFM to 500 SCFM Rated Up To 250 PSI are Standard
- Differential Pressure Gauge Built In
- Mounting Hardware Included for Easy Installation
- Weep Drain is Standard; Float Drain or Electronic Drain Valve Optional

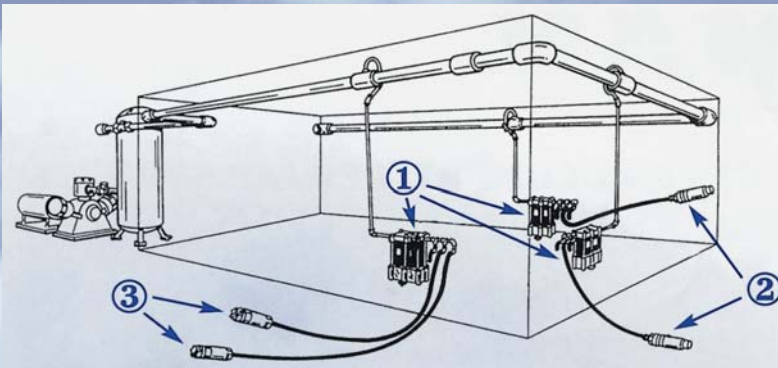


**MODEL 105F**  
with Differential Pressure Gauge  
and Float Drain

## *How It Works –*

- 1** Compressed air containing tiny particles of dirt, dust, oil, rust and moisture, enters the first stage of the LaMan® Extractor/Dryer Filter.
- 2** A coalescing effect occurs as air passes through a cartridge mesh filter which captures larger particles and causes moisture to form larger droplets.
- 3** Air velocity lessens as it enters the extraction chamber allowing particles and liquids to collect in the honeycomb.
- 4** Particle laden liquid flows along the bottom and out the drain.
- 5** Air passes through the second stage wire supported fiber filter cartridge which captures remaining particles down to 5 microns.
- 6** Remaining moisture and contaminants are dried and filtered in the second stage filter.
- 7** Exhaust air is clean and dry – no dirt, rust, oil, or water drops to disrupt air equipment operation.



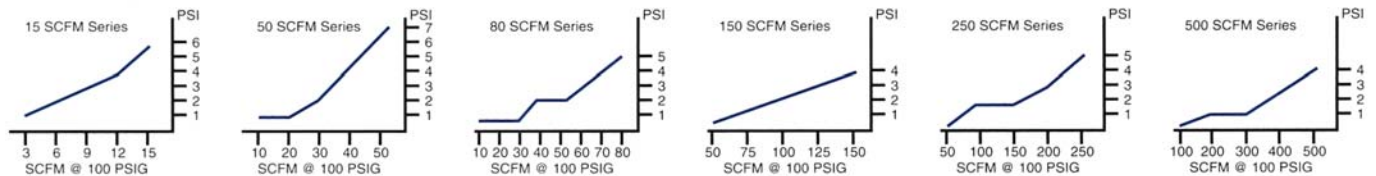


La-Man provides a wide range of compressed air filtration and preparation devices. As shown, the Extractor/Dryer **1** is installed for primary filtration and moisture removal. Each unit is augmented with either the Pneuguard® In-line Dryer **2** or Dryer/Pneuguard® **3** for additional filtration.

## SPECIFICATIONS

Model	520A	520B	105	106	107	110	111	120	140	180
NPT	1/4"	1/4"	1/4"	3/8"	1/2"	1/2"	3/4"	1"	1 1/2"	2"
SCFM	15	15	50	50	50	80	80	150	250	500
MAX. PSI	250	250	250	250	250	250	250	250	250	150
APPR. WT.	2#	2#	3#	3#	3#	6#	6#	17#	36#	72#
Service Kit #	015SKA	015SKA	050SKA	050SKA	050SKA	080SKA	080SKA	150SKA	250SKA	500SKA

## FLOW CHARACTERISTICS - PRESSURE DROP



### APPLICATIONS:

- Air Guns
- Injection Molding
- Hospital Equipment
- Staple Guns
- Printing Presses
- Air Operated Chucks
- Auto Paint & Body Shop
- Sandblasting
- Air Doors
- Air Brushes
- Rivet Guns
- Bakery Equipment
- Textile Needles
- Package Coding
- Transit Systems
- Dental Equipment
- Nailers
- Brewery Bottling
- Construction
- Electronics
- Air Tools
- Air Cylinders



### Weep Drain - Standard

The standard drain of the Extractor/ Dryer continuously weeps moisture with a minimal amount of air loss (.16 to .2 CFM at 100 PSI).



### Float Drain - No Air Loss

The 500 FD Float Drain will automatically expel liquids from the Extractor/Dryer. It can be used on all models. Drain hose included.



### Electronic Drain

The Electronic Drain can be installed on any Extractor/ Dryer as well as surge tanks and drip legs. Adjustable interval and discharge times on various models.



### Safety Lockout Valve

Relieves downstream pressure and accepts locking devices, per OSHA 29 CFR-Part 10, when used before servicing the air filter.



### Complete Service Kits

EACH KIT INCLUDES:  
 1st & 2nd Stage Elements  
 Base Core  
 All Gaskets & Seals  
*Can be serviced without filter being removed from air line.*

**For More Information Contact:**